

1" MKIV Shuttle Valve Product Line

REV	DATE	DESCRIPTION	ORIGIN (issued by)	APPROVED
Rev A	03-13-2018	Document No: 120-031318-001	AP	SS

COMPANY PROPRIETARY INFORMATION

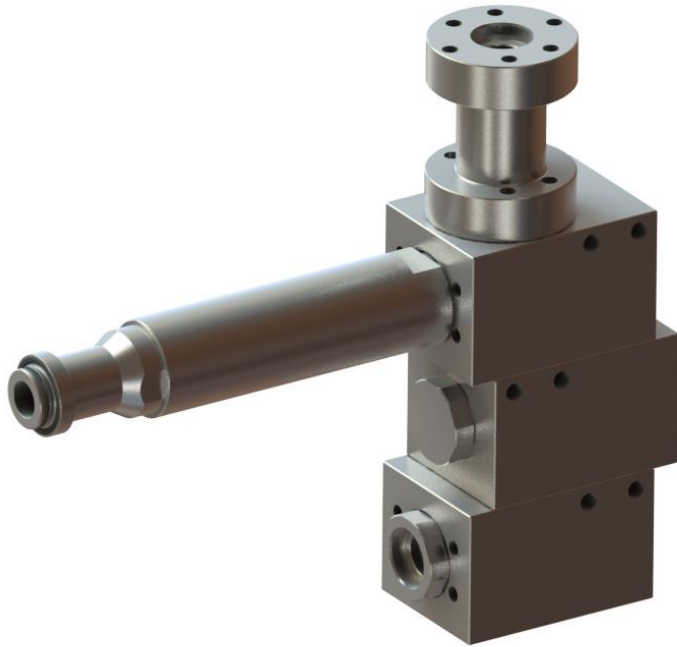
Gilmore Technologies, LLC and/or its affiliates (Gilmore). All rights reserved. Gilmore™, Gilmore & Design (Stallion) are registered trademarks or trademarks of Gilmore. This notice and the information contained herein is not to be, in whole or in part, reproduced or transmitted in any form by any means without the express permission of Gilmore. **DISCLAIMER:** Whilst Gilmore has carefully reviewed the contents of this notice and believes the information to be correct, Gilmore does not assume any liability in connection with any use of or reliance upon this information and gives no representation or warranty, express or implied, in respect of the information or any products described herein. This notice is intended for use by persons having suitable technical expertise and skill, at their own discretion and risk. Gilmore may change the information contained herein at any time without notice.

For more information:

Call (713) 468 8778
info@gilmore.com

Gilmore
 1231 Lumpkin Road
 Houston, TX 77043

1" MKIV Shuttle Valve Product Line



The 1" Mark IV Shuttle Valve product line establishes a new benchmark for reliability and serviceability in drilling control systems where redundant hydraulic pressure supplies are required.

Features and Benefits:

- Qualification exceeds API 16D requirements
 - Non Biased shuttle valves qualified to 2500 cycles at maximum flow conditions
 - Pressure and Spring Biased shuttle valves qualified to 1000 cycles at maximum flow conditions
- Shuttle metal seat no longer requires coining, simplifying on-site repairs
- All shuttle styles are hydraulically dampened
- Common stacked bodies can be readily reconfigured
- Fully serviceable shuttles and body seats can be completely redressed inline.
- Available configurations include Pressure biased, Spring biased, high interflow, low interflow, high drag, low drag options with customizable end connections and mounting provisions.
- Customizable single valve and stack valve assemblies available to suit application requirements

Suitable for panel mounting or direct mounting
U.S. Patent 9,915,275

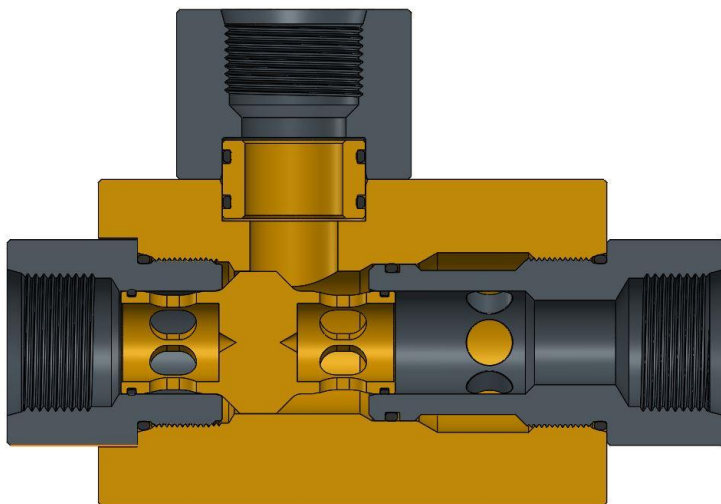
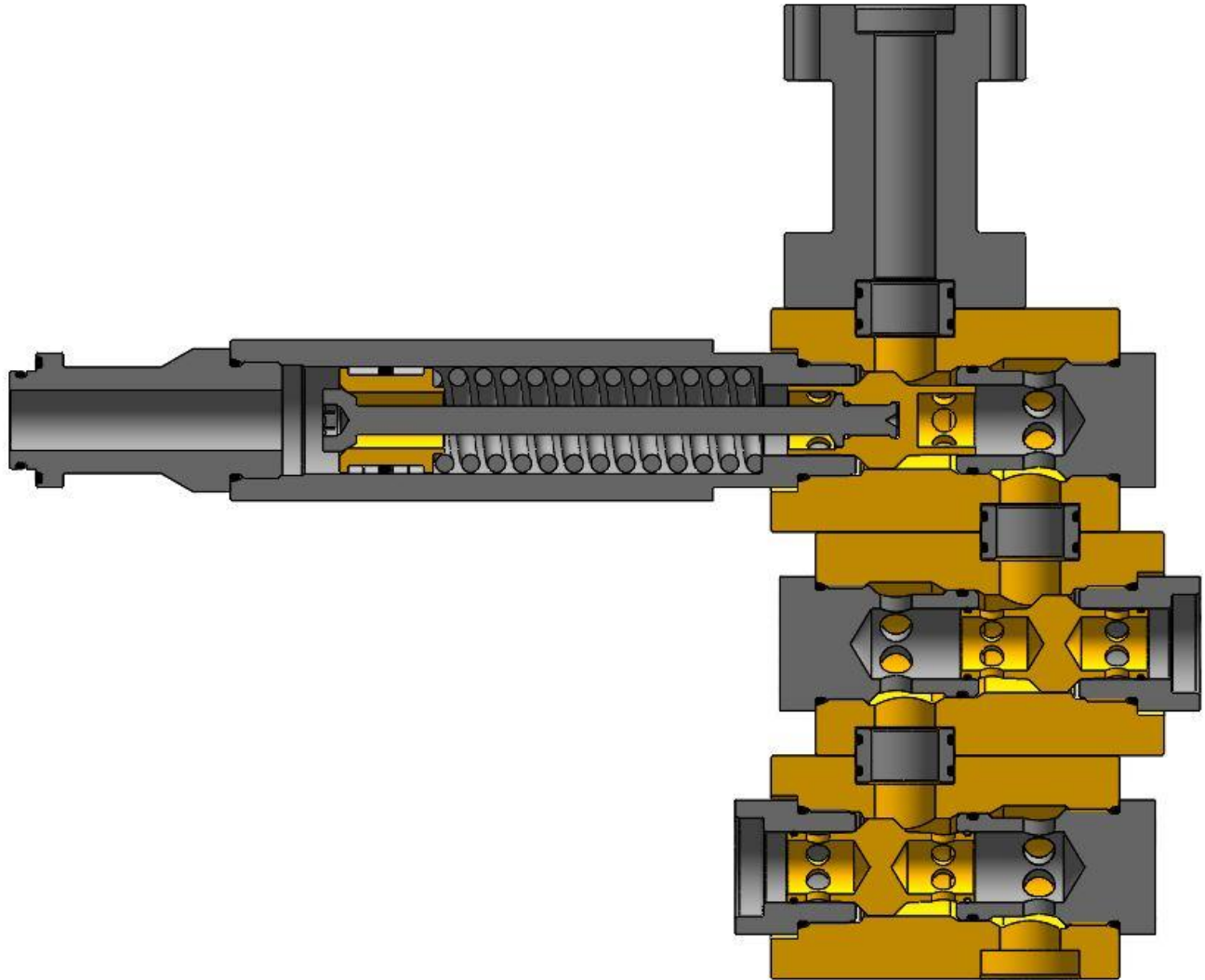


Figure 1. PN 29018: 1" MKIV Shuttle Valve, Inline, SAE, High Interflow, High Drag

1" MKIV Shuttle Valve Product Line

Figure 2. PN 29019: 1" MKIV Shuttle Valve, Stack, 4 Inlets, Code 62, Pressure Biased, Low Interflow, High Drag



Gilmore has exceeded API 16D requirements by qualifying the new 1" MKIV Shuttle Valve non-biased designs to multiple endurance qualification tests to 2500 cycles, at a starting flow rate of 175 gpm – and biased designs to 1000 cycles and 150 gpm – at 5000 psi, with 1% - 4% water glycol test fluid.

The new Gilmore 1" MKIV Shuttle Valves are now available for purchase. A few examples of typical assembly configurations are listed below for reference. Proserv Gilmore will create other customized 1" MKIV Shuttle valve configurations that are required.

Please contact Gilmore Customer Service to request a quotation for the 1" MKIV Shuttle Valves listed below, or other configurations as required.

Table 1. Examples of New 1” MKIV Shuttle Valve Part Numbers:

Item	New Valve Description	Legacy PN Reference	New Valve PN	New Repair Kit PN	New Seal Kit PN
1	Valve, MKIV, 1” Inline, Code 62, Low Interflow, High Drag	27023-0.3	29012	29012 RK	29012 RK
2	Valve, MKIV, 1”, 90 Degree, Code 62, Low Interflow, High Drag	N/A	29014	29014 RK	29014 RK
3	Valve, MKIV, 1” Inline, SAE, Pressure Biased, 400 psi Shift	28059	29015	29015 RK	29015 RK
4	Valve, MKIV, 1”, Inline, SAE, Spring Biased	28135	29016	29016 RK	29016 RK
5	Valve, MKIV, 1”, Inline, SAE, High Interflow, Low Drag	27020	29018	29018 RK	29018 RK
6	Valve, MKIV, 1” Stacked, 4 Inlets, Code 62 Seal Sub, Low Interflow, High Drag, Pressure Biased, 200 psi Seal	28306-3.3	29019	29019 RK	29019 RK
7	Valve, MKIV, 1” Inline, SAE, Pressure Biased, 200 psi Shift	27088	29020	29020 RK	29020 RK

Please note that Gilmore will continue to support the legacy 1” MKIII Shuttle Valves, which have a different footprint than the new 1” MKIV Shuttle Valves.