



## Product Information Bulletin (PIB)

# 1-1/2" GEN2 SPM Cartridge & Valve Product Line

REV	DATE	DESCRIPTION	ORIGIN (issued by)	APPROVED
001	01-27-2020	Document No: 105-012720-001	AP	BR

### COMPANY PROPRIETARY INFORMATION

Gilmore Technologies, LLC and/or its affiliates (Gilmore). All rights reserved. Gilmore™, Gilmore & Design (Stallion) are registered trademarks or trademarks of Gilmore. This notice and the information contained herein is not to be, in whole or in part, reproduced or transmitted in any form by any means without the express permission of Gilmore. **DISCLAIMER:** Whilst Gilmore has carefully reviewed the contents of this notice and believes the information to be correct, Gilmore does not assume any liability in connection with any use of or reliance upon this information and gives no representation or warranty, express or implied, in respect of the information or any products described herein. This notice is intended for use by persons having suitable technical expertise and skill, at their own discretion and risk. Gilmore may change the information contained herein at any time without notice.

---

#### For more information:

Call (713) 468 8778  
info@gilmore.com

Gilmore  
1231 Lumpkin Road  
Houston, TX 77043

## 1-1/2" GEN2 SPM Cartridge & Valve Product Line

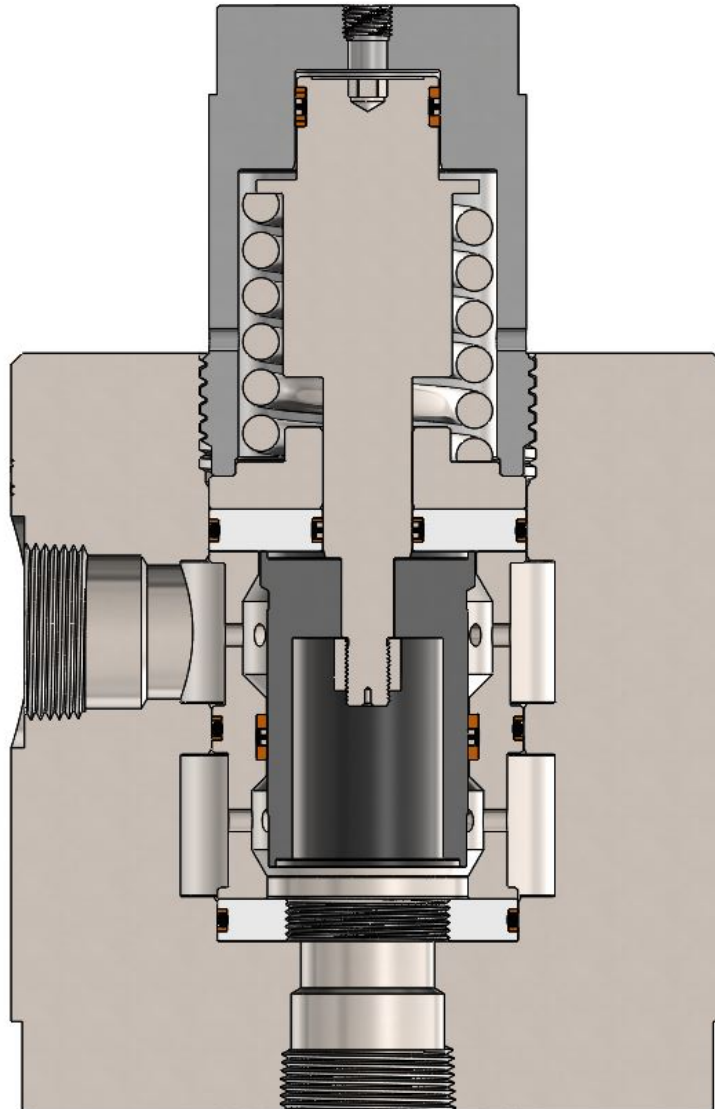


Gilmore announces the new 1-1/2 inch GEN 2 SPM product line for critical offshore and subsea applications. The 1-1/2 inch GEN 2 SPM has been redesigned with significant improvements, within the same cavity and footprint as the legacy SPM, allowing direct replacement in existing Gilmore SPM manifolds. Gilmore's proprietary SPM cartridge technology provides an order of magnitude improvement in SPM cycle life.

### Features and Benefits:

- Qualification exceeds API 16D requirements –
  - Two separate full flow tests at 2500 cycles each
- Proprietary bi-directional cartridge performs in both Normally Closed or Normally Open applications
- Reduces interflow
- Reduces pressure spikes
- Improved valve materials:
  - 316 SS Body and Spring
  - Nitronic 50 Piston Rod
  - Nitronic 60 Seal Sleeve and Cage
  - Aluminium Bronze Bushing
  - Shouldered & Torqued Nylon Lock Nut
  - Dynamic T-Seals
  - HNBR Soft Seals with PEEK Double Back-up Rings
  - Delrin 511P Top and Bottom Seats
- Options available for 3000 psi or 5000 psi pilot MAWP
- Wide array of options available for body & port style, and customized manifolded assemblies
- Patent Pending

Figure 1. PN 29066: 1-1/2 inch GEN 2 SPM Valve, N.C., 1-1/2 inch NPTF, 1/4 inch NPTF 5000 psi Pilot



Gilmore has met or exceeded API 16D requirements by qualifying the new 1-1/2 inch GEN 2 SPM designs to multiple endurance qualification tests to 2500 cycles, at 5000 psi and 250 GPM, with 1% - 4% water glycol test fluid.

The new 1-1/2 inch GEN 2 SPM Cartridge and Valve have the identical cavity and valve footprint dimensions as the legacy SPM, allowing drop-in replacement.

As a result of the new Gilmore 1-1/2 inch GEN 2 SPM product line, please note that sales of the legacy 1-1/2 inch SPM Cartridge and Valve part numbers listed below will be discontinued as of January 27, 2021. The new Gilmore 1-1/2 inch GEN 2 SPM Cartridge and Valves are now available as a replacement for the legacy 1-1/2 inch SPM Cartridge and Valves.



After new legacy valve sales are discontinued, Gilmore will continue to support the legacy 1-1/2 inch SPM product line:

- Gilmore will continue providing repair kits and seal kits in support of discontinued legacy 1-1/2 inch SPM Cartridge and Valves for a minimum of 3 years. The legacy 1-1/2 inch SPM Cartridge and Valves listed below are field repairable.
- Gilmore Aftermarket will continue to support discontinued legacy products with factory failure analysis and repair services for a minimum of 3 years.

Please note that GEN 2 repair kits are not interchangeable with legacy repair kits and cannot be used in legacy SPMs. Please contact Gilmore Customer Service to assist you with selecting the GEN 2 replacement valve part numbers.

**Table 1 New and Legacy 1-1/2 inch SPM Part Number Cross References**

Item	Legacy Description	Legacy Valve PN	Legacy Repair Kit PN	GEN 2 Cartridge or Valve Description	GEN 2 Valve PN	GEN 2 Repair Kit PN
1.1	Valve, 1-1/2 inch SPM, N.O., 5000 psi Pilot, 1/4 NPT Pilot Port, 1-1/2 NPT Block Ports	27614-1	27169-2 RK	Valve, 1-1/2 inch GEN 2 SPM, N.O., 5000 psi Pilot, 1/4 NPT Pilot Port, 1-1/2 NPT Block Ports	29065	29065 RK
1.2	Valve, 1-1/2 inch SPM, N.C., 5000 psi Pilot, 1/4 NPT Pilot Port, 1-1/2 NPT Block Ports	27615-1	27170-2 RK	Valve, 1-1/2 inch GEN 2 SPM, N.C., 5000 psi Pilot, 1/4 NPT Pilot Port, 1-1/2 NPT Block Ports	29066	29067RK
1.3	N/A	N/A	N/A	Valve, 1-1/2 inch GEN 2 SPM, N.C., 5000 psi Pilot, 1/4 NPT Pilot Port, 1-1/2 Code 62 Block Ports	29075	29067 RK
1.4	Cartridge, 1-1/2 inch SPM, N.O., 5000 psi Pilot, 1/4 NPT Pilot Port	27169-2	27169-2 RK	Cartridge, 1-1/2 inch GEN 2 SPM, N.O. & N.C., 5000 psi Pilot, 1/4 NPT Pilot Port	29067	29067 RK
1.5	Cartridge, 1-1/2 inch SPM, N.C., 5000 psi Pilot, 1/4 NPT Pilot Port	27170-2	27170-2 RK	Cartridge, 1-1/2 inch GEN 2 SPM, N.O. & N.C., 5000 psi Pilot, 1/4 NPT Pilot Port	29067	29067 RK
1.6	Cartridge, 1-1/2 inch SPM, N.C., 5000 psi Pilot, 1/4 NPT Pilot Port, Delrin Seats	27170-3	27170-3 RK	Cartridge, 1-1/2 inch GEN 2 SPM, N.O. & N.C., 5000 psi Pilot, 1/4 NPT Pilot Port	29067	29067 RK
1.7	Cartridge, 1-1/2 inch SPM", N.C., 3000 psi Pilot, 1/4 NPT Pilot Port, Delrin Seats	27170-3-1	27170-3-1 RK	Cartridge, 1-1/2 inch GEN 2 SPM, N.O. & N.C., 3000 psi Pilot, 1/4 NPT Pilot Port	29074	29074 RK
1.8	Cartridge, 1-1/2 inch SPM, N.O., 3000 psi Pilot, 1/4 NPT Pilot Port	27552	27552 RK	Cartridge, 1-1/2 inch GEN 2 SPM, N.O. & N.C., 3000 psi Pilot, 1/4 NPT Pilot Port	29074	29074 RK
1.9	Cartridge, 1-1/2 inch SPM, N.C., 5000 psi Pilot, 1/4 NPT Pilot Port, Delrin Seats	28481	28481 RK	Cartridge, 1-1/2 inch GEN 2 SPM, N.O. & N.C., 5000 psi Pilot, 1/4 NPT Pilot Port	29067	29067 RK
1.10	Cartridge, 1-1/2 inch SPM, N.C., 3000 psi Pilot, 1/4 NPT Pilot Port, Delrin Seats	28482	28482 RK	Cartridge, 1-1/2 inch GEN 2 SPM, N.O. & N.C., 3000 psi Pilot, 1/4 NPT Pilot Port	29074	29074 RK



**Table 2. Uncommon Legacy 1-1/2 inch SPM Valve Part Number Cross References**

Item	Legacy Description	Legacy Valve PN	Legacy Repair Kit PN	GEN 2 Valve Description	GEN 2 Valve PN	GEN 2 Repair Kit PN
1.1	Cartridge, SPM, 1-1/2 inch, N.O., 5000 psi Pilot, 1/4 BSPP Pilot Port	28397	28397 RK	Cartridge, 1-1/2 inch GEN 2 SPM, N.O. & N.C., 5000 psi Pilot, 1/4 BSPP Pilot Port	29067-1	29067-1 RK
1.2	Cartridge, SPM, 1-1/2 inch, N.C., 5000 psi Pilot, 2-Way, Pilot Port 1/4 BSPP	28507	28507 RK	Cartridge, 1-1/2 inch GEN 2 SPM, N.O. & N.C., 5000 psi Pilot, 1/4 BSPP Pilot Port	29067-2	29067-2 RK
1.3	Cartridge, SPM, 1-1/2 inch, N.C., 5000 psi Pilot, 2-Way, Pilot Port 1/4 SAE	28602	28602 RK	Cartridge, 1-1/2 inch GEN 2 SPM, N.O. & N.C., 5000 psi Pilot, 1/4 SAE Pilot Port	29067-3	29067-3 RK
1.4	Conversion Kit, SPM, 1-1/2 inch, N.C., 5000 psi Pilot, Soft Goods	28157	N/A	Cartridge, 1-1/2 inch GEN 2 SPM, N.O. & N.C., 5000 psi Pilot, 1/4 NPT Pilot Port	29067	29067 RK
1.5	Conversion Kit, SPM, 1-1/2 inch, N.C., 5000 psi Pilot, Soft Goods and Seal Sleeve	28160	N/A	Cartridge, 1-1/2 inch GEN 2 SPM, N.O. & N.C., 5000 psi Pilot, 1/4 NPT Pilot Port	29067	29067 RK

If a new Gilmore 1-1/2 inch GEN 2 SPM part number is not listed above for a specific legacy part number, please contact Gilmore Customer Service to request a quotation and creation of a new GEN 2 part number.

Please contact Gilmore Customer Service to request drawings and quotations for these SPMs at [info@proserv.com](mailto:info@proserv.com).