

## 3/4" GEN2 V-Seal Shuttle Valve

| REV | DATE       | DESCRIPTION                 | ORIGIN<br>(issued by) | APPROVED |
|-----|------------|-----------------------------|-----------------------|----------|
| 001 | 06-10-2020 | Document No: 120-061020-001 | AP                    | SS       |
| 002 | 12-18-2020 | Document No: 120-061020-002 | SD                    | BR       |
| 003 | 04-21-2022 | Document No: 120-061020-003 | GM                    | BR       |
|     |            |                             |                       |          |

### COMPANY PROPRIETARY INFORMATION

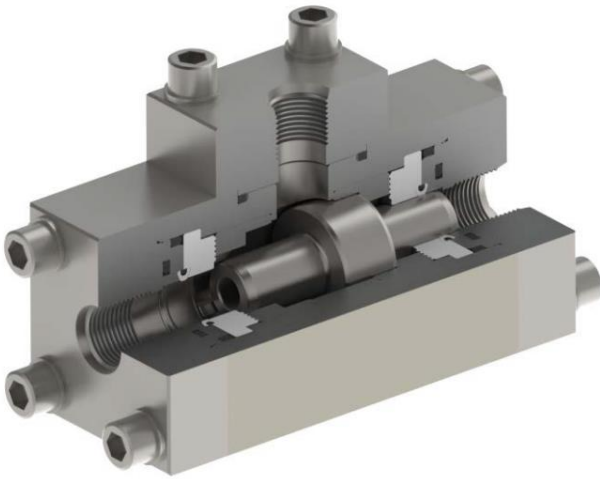
© Proserv Gilmore Valve, LLC and/or its affiliates (Gilmore). All rights reserved. Proserv®, Gilmore™, Gilmore & Design (Stallion) are registered trademarks or trademarks of Gilmore. This notice and the information contained herein is not to be, in whole or in part, reproduced or transmitted in any form by any means without the express permission of Gilmore. **DISCLAIMER:** Whilst Gilmore has carefully reviewed the contents of this notice and believes the information to be correct, Gilmore does not assume any liability in connection with any use of or reliance upon this information and gives no representation or warranty, express or implied, in respect of the information or any products described herein. This notice is intended for use by persons having suitable technical expertise and skill, at their own discretion and risk. Gilmore may change the information contained herein at any time without notice.

---

**For more information:**  
**Call (800) 469-8786**  
[INFO@Gilmore.com](mailto:INFO@Gilmore.com)

Gilmore  
 1231 Lumpkin Road  
 Houston, TX 77043

## 3/4" GEN2 V-Seal Shuttle Valve

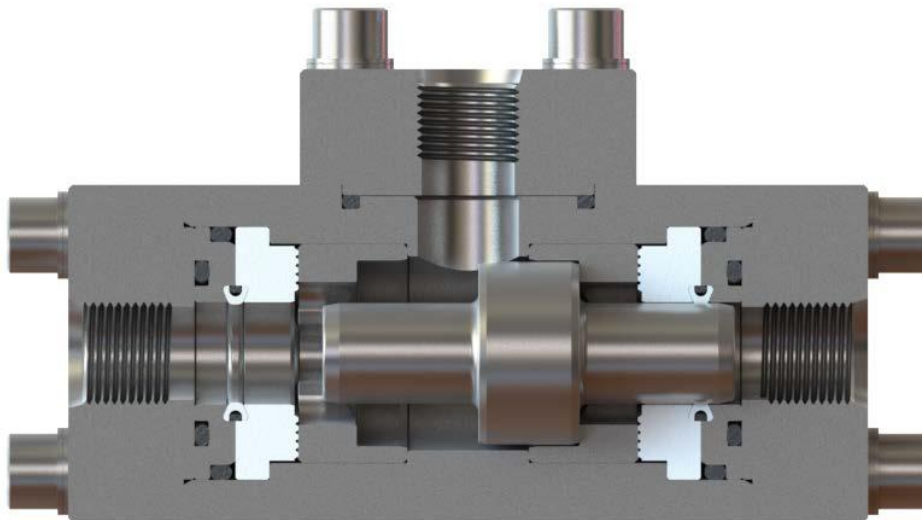


Gilmore announces the new 3/4" GEN2 V-Seal Shuttle Valve product line for critical offshore and subsea applications. The 3/4" GEN2 V-Seal Shuttle Valve has been designed with the same footprint as the legacy Traditional Shuttle Valve for easy drop-in replacement. Gilmore's proprietary dynamic V-Seal technology provides an order of magnitude improvement in valve cycle life.

### Features and Benefits:

- Qualification exceeds API 16D requirements
  - Two separate full flow tests at 2500 cycles each
- Proprietary V-Seal and hydraulic dampening technology
- Improved Valve Materials:
  - 316 SS Body and Flanges
  - Nitronic 60 Shuttle, Sleeve and Cap
  - PEEK Spacer
  - PTFE/Nitrile 90 Duro V-Seal
  - A286 Gr 660 Cap Screws with 254 SMO Nordlock Washers

Figure 1. PN 29058: 1/2" SAE Traditional GEN2 Shuttle Valve, 3000 psi, Low Interflow



Gilmore has exceeded API 16D requirements by qualifying the new 3/4" GEN2 V-Seal Shuttle Valve designs to multiple endurance qualification tests to 2500 cycles, at a starting flow rate of 70 gpm at 5000 psi, with 1% - 4% water glycol test fluid.

The new Gilmore 3/4" GEN2 V-Seal Shuttle Valves have an identical footprint to the legacy valves for simple retrofitting.

As a result of the new Gilmore 3/4" GEN2 V-Seal Shuttle Valve product line, please note that new valve sales of the legacy 3/4" Traditional Shuttle Valve part numbers listed below in Table 1 were discontinued after June 9th, 2021.

The new Gilmore 3/4" GEN2 V-Seal Shuttle Valve is now available as a replacement for the legacy 3/4" Traditional Shuttle Valves.

Gilmore will continue to sell and support the legacy 3/4" shuttle valve repair kits, seal kits and Aftermarket support after new valve sales of the legacy design are discontinued.

**Table 1. New and Legacy 3/4" Shuttle Valve Part Numbers:**

| Item | Legacy Description   | Legacy Valve PN | Legacy Repair Kit PN | New Valve Description   | New Valve PN | New Repair Kit PN |
|------|--|-----------------|----------------------|---|--------------|-------------------|
| 1    | Valve, 3/4", Shuttle, Traditional, 1" NPT, Low Interflow, 3000 psi             | 25412           | 25412 RK             | Valve, 3/4", Shuttle, GEN2, 1" NPT, Low Interflow, 3000 psi                     | 29057        | 29057 RK          |
| 2    | Valve, 3/4", Shuttle, Traditional, 1/2" NPT, Low Interflow, 3000 psi           | 25412-2         | 25412-2 RK           | Valve, 3/4", Shuttle, GEN2, 1/2" NPT, Low Interflow, 3000 psi                   | 29112        | 29112 RK          |
| 3    | Valve, 3/4", Shuttle, Traditional, 1" NPT, High Interflow, 3000 p              | 25415           | 25415 RK             | Valve, 3/4", Shuttle, GEN2, 1" NPT, High Interflow, 3000 psi                    | 29113        | 29113 RK          |
| 4    | Valve, 3/4", Shuttle, Traditional, 1/2" SAE, Low Interflow, 3000 psi           | 25426           | 25426 RK             | Valve, 3/4", Shuttle, GEN2, 1/2" SAE, Low Interflow, 3000 psi                   | 29058        | 29058 RK          |
| 5    | Valve, 3/4", Shuttle, Traditional, 1" NPT, Low Interflow, 3000 psi, N60 trim   | 181664          | 181666               | Valve, 3/4", Shuttle, GEN2, 1" NPT, Low Interflow, 3000 psi                     | 29057        | 29057 RK          |
| 6    | Valve, 3/4", Shuttle, Traditional, 1" NPT, High Interflow, 3000 psi, N60 trim  | 181667          | 181671               | Valve, 3/4", Shuttle, GEN2, 1" NPT, High Interflow, 3000 psi                    | 29113        | 29113 RK          |
| 7    | Valve, 3/4", Shuttle, Traditional, 1/2" SAE, Low Interflow, 3000 psi, N60 trim | 181672          | 181674               | Valve, 3/4", Shuttle, GEN2, 1/2" SAE, Low Interflow, 3000 psi                   | 29058        | 29058 RK          |
| 8    | Valve, 3/4", Shuttle, Traditional, 1/2" BSPP, Low Interflow, 3000 psi          | 25412-1         | 25412-1 RK           | Valve, 3/4", Shuttle, GEN2 Traditional, 1/2" BSPP, Low Interflow, 3000 psi      | 29098        | 29098 RK          |
| 9    | Valve, 3/4", Shuttle, Traditional, Seal Sub Mount, Low Interflow, 3000 psi     | 28337           | 28337 RK             | Valve, 3/4", Shuttle, GEN2 Traditional, Seal Sub Mount, Low Interflow, 3000 psi | 29097        | 29097 RK          |

Please note that GEN2 repair kits are not interchangeable with legacy repair kits and cannot be used in the legacy Traditional Shuttle Valves. Please contact Gilmore Customer Service to assist you with selecting GEN2 replacement valve part numbers.

Please contact Gilmore Customer Service to request drawings and quotations for these 3/4" GEN2 V-Seal Shuttle Valves at [INFO@GILMORE.com](mailto:INFO@GILMORE.com).