



If a new Gilmore 1-1/2 inch GEN 2 SPM part number is not listed above for a specific legacy part number, please contact Gilmore Customer Service to request a quotation and creation of a new GEN 2 part number.

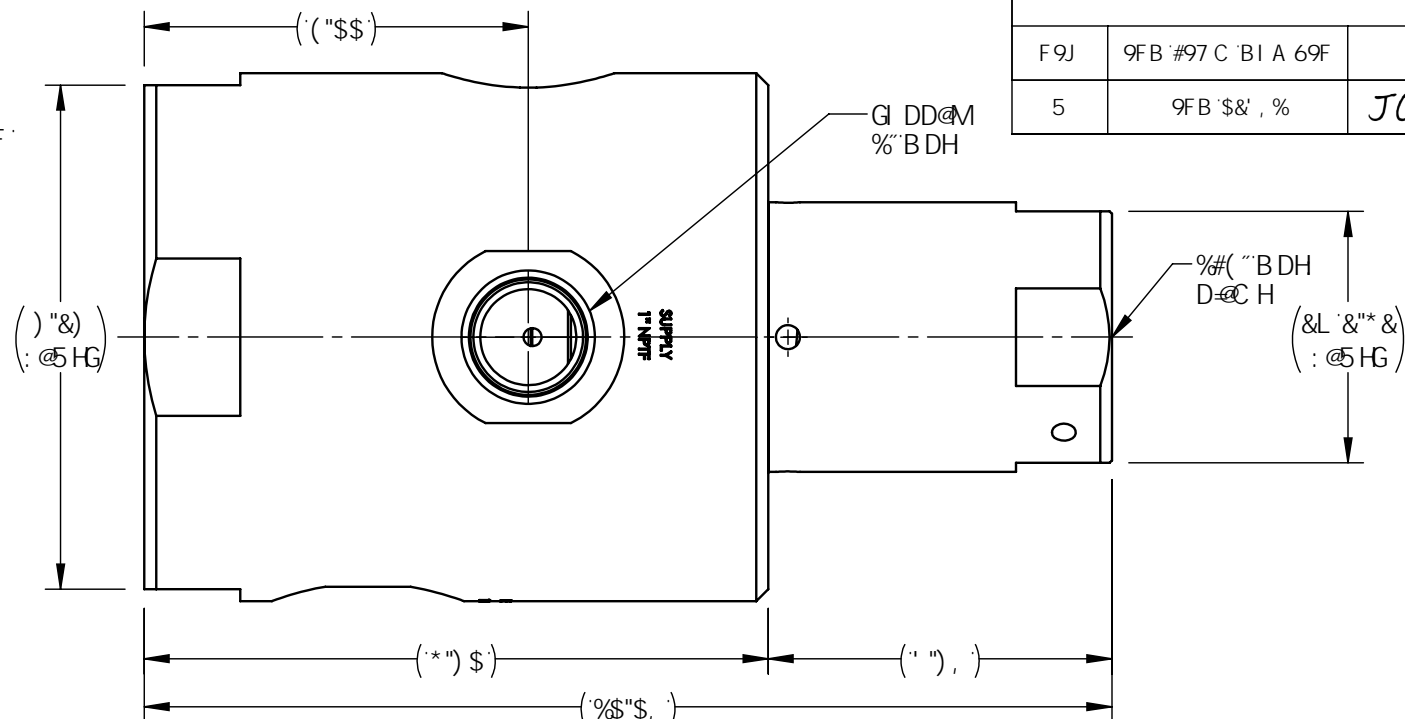
Please contact Gilmore Customer Service to request drawings and quotations for these SPMs

at L Qom. I R@ J L O P R U H

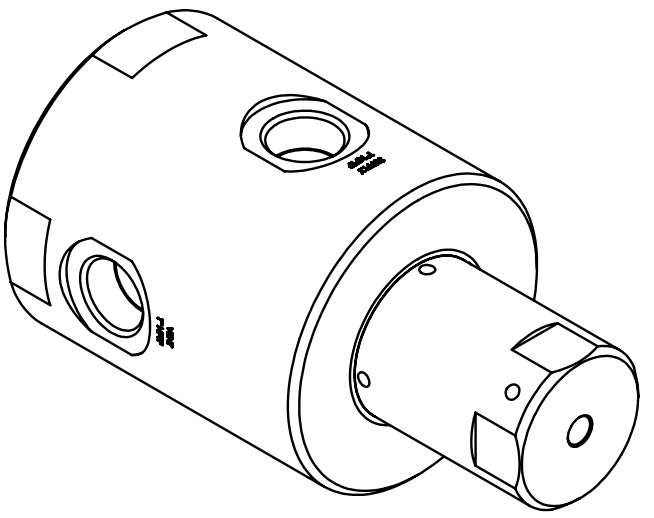
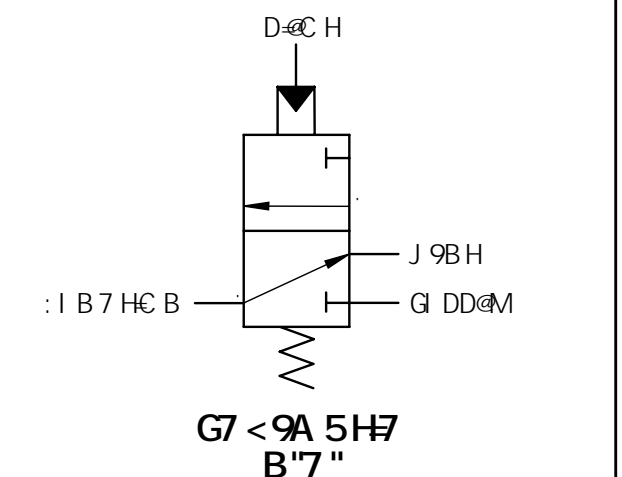
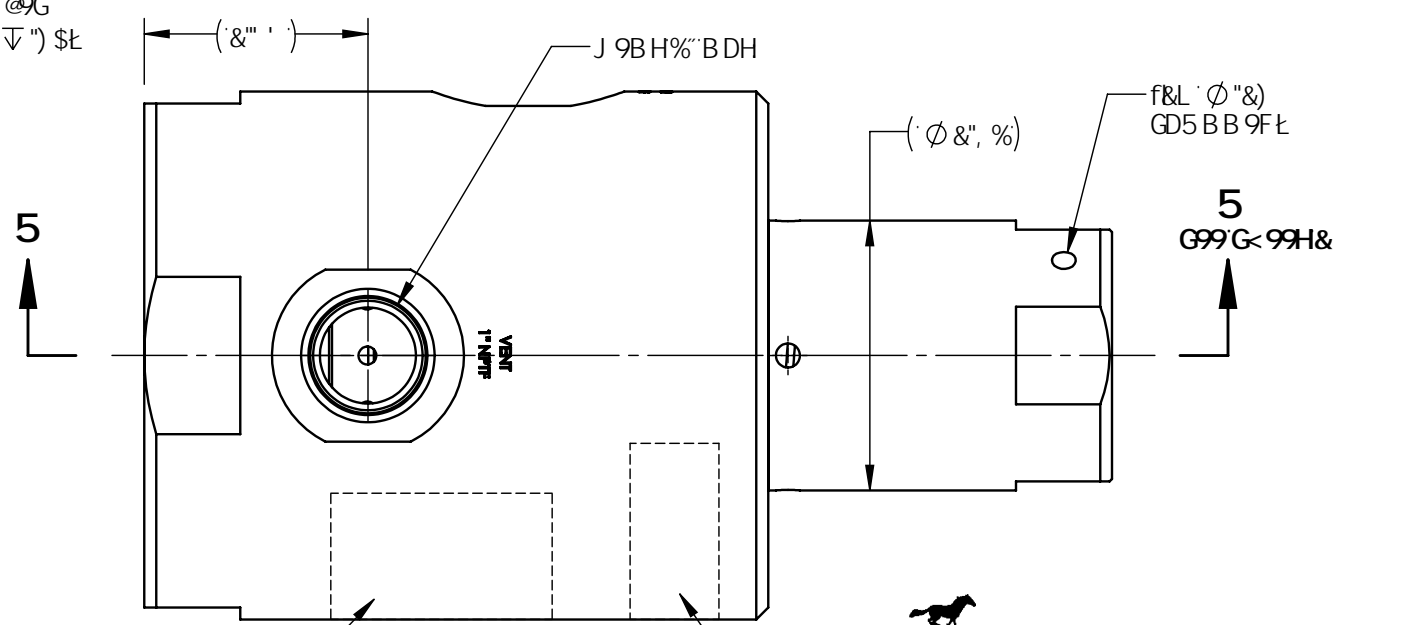
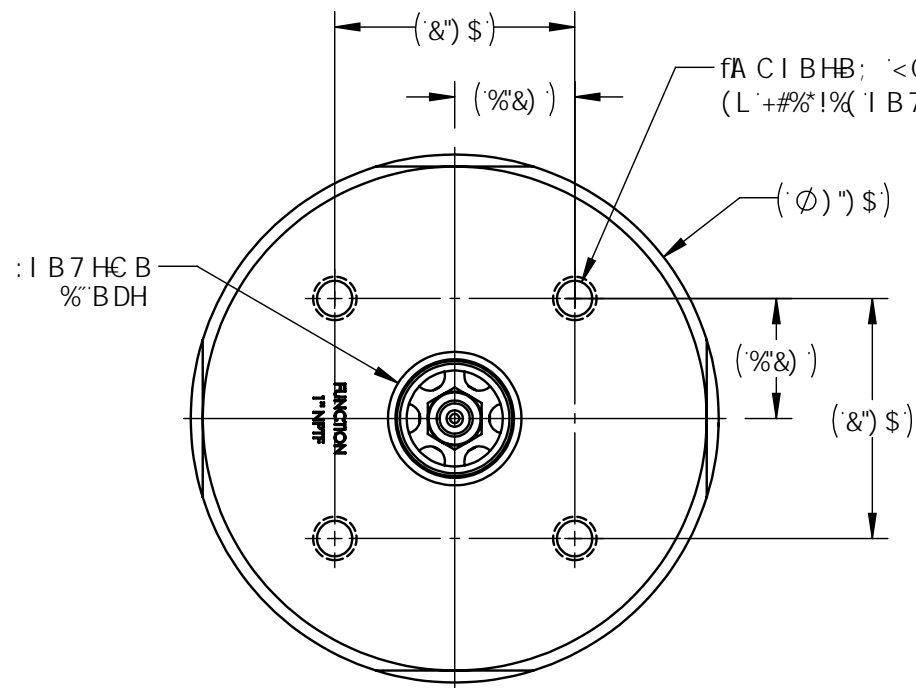
BC H9G

A 5F?B; .A 5F?7CA DCB9BHK #k:5GG9A 6@MK "C"
 5G<CK B'CB'k:97CA DCB9BH8F5K B;
 A 5F?B; .A 5F?5GG<CK B'IGB; @G9F'9H7<'CF'7CA DI H9F'
 7CBHFC @98'8CHD99B'A 5F?B; 'A 57<B9Z"\$* '<≠ <
 A B'7<5F57H9FG"
 ' " :CF'6CHCA 'G95@F9A CJ5@I G9'HC C @5H@%\$\$\$!\$\$\$"
 (" LZ-B'7C@A B'89D=7HG'D5FHG-B'G95@?#I&- %&\$'G?"
)" LZ-B'7C@A B'89D=7HG'D5FHG-B'F9D5F'?#I&- %&\$'F?"
 * HC FE I 9'75FH-F; 9'HC " '\$\$:H@G-B'A 5B=C @B'6@7?
 I GB; 'GD97-5@HC C @5H@%\$\$\$"
 + 5GG9A 6@MDFC 7981 F9.) \$&, &
 G5B85F8': 5HDFC 7981 F9.) \$&, '
 9LH9B898': 5HDFC 7981 F9.) \$&, ('
 G9FJ 7'9A 5BI 5@) %&\$*

F9J GCBG				
F9J	9FB #97C'BI A 69F	8F5K B	7<97?98	5DDFC J 98
5	9FB '\$&', %	JOP 4/09/20	CMJ 4-13-20	AJP 4/10/20



DF9GGI F985H5
 GI DD@MA 5K D.) \$\$\$ DG=
 D@C HA 5K D.) \$\$\$ DG=
 5H) \$\$\$ DG=GI DD@MF97 C A A 9B898
 A B A I A 'D@C HDF9GGI F9.) \$\$\$ DG=
 5H' \$\$\$ DG=GI DD@MF97 C A A 9B898
 A B A I A 'D@C HDF9GGI F9.) \$\$\$ DG=
 :@K '85H5
 7j 1;
 A 5L: @K '75D57 #M%+); DA
 : @ 8G "%L'K 5H9F'65G98'8F @B;
 7CBHFC @: @ 8"
 &'L'A B9F5@C @65G98'8F @B;
 7CBHFC @: @ 8"
 DC FHG
 GI DD@M %"BDH
 : I B7HC B. %"BDH
 J 9BH %"BDH
 D@C H %#"BDH
 : 9B9F5@85H5
 H9A D9F5H F9F5B; 9.) &: HC %&\$°:
 5DDFC L'K 9≠ <H'(' @G
 : 9@8'G9FJ 7'956@



&- %&\$-
 J 9F'f5L'J 9FG@B' L
 FG9F-5@BI A 69F!
 G5A 9'G#B'5G75FH-F; 9L
 D5H9BHD9B8-B;
) \$\$\$ DG=
 fB5H9'C: 'A:; L
 G99G<C D'H5J 9@F
 : CF'588 #CB5@
 -B: C'F9E I #98



A 5F?K #k: @; C'5B8
7CA D5BM-B: CFA 5HC B

D5H9BHD9B8-B;

A 5H9F-5@ G99D5FHG'CB-B8= '6CA	8A 9BGC BG5B8'HC @F5B79G5F9 B-B7<9GD9F 5GA 9Mk(") A1%- ("' I B@GGC H: 9FK @9GD97 ≠ 98. %L HC @F5B79G "L: ±% "LL: ±\$% "LLL: ±\$\$) 5B; @G: ±)" &L G F: 579H9LH F9. "	5DDFC J 5@ 8F5K B 6M 7<97?98'6M 9B; B99F 9FB BI A 69F	JOP CMJ AJP \$&', % \$%#&- #&\$	85H9 4/09/20 85H9 4-13-20 85H9 4/10/20 85H9	 9B; B99F-B; J 5@ 9Z%'Z GDA Z; 9B &Z B'7 'Z %"BDH '6@7? DC FHG %#"BDH 'D@C HDC FH	GAP 6	8K; BC	F9J 5	
7CB8#CB.	*L 7CF58-5@: 95H F9G<5@69 K #k-B "\$%\$ (L 6F95? G<5FD98; 9G"\$%\$)L B'H9F B5@F58=G<5@69"\$%\$'A 5L *L 8F @DC B'HGC DHC B5@K <9B G<C K B I BGD97 ≠ 98Z5@8F @DC B'H5B; @G G<5@6969K 99B -S'1%\$*	Hk9-B: CFA 5HC B 7CBH5-B98-B Hk-68F5K-B; 6Hk-9 GC @DFC D9FHMC: ; @A CF9J5@97C I B@GGC Hk9FK @9 G5H98" 5B MF9DFC 8I 7HC B-B D5FHCF K <C @K #k C I H Hk9K F#H98 D9FA @GC B C: ; @A CF9J5@97C @DFC <4#98"							
HF95HA 9BH									
DFC 7981 F9'BI A 69F.									

6

6

5

5

(

&

%

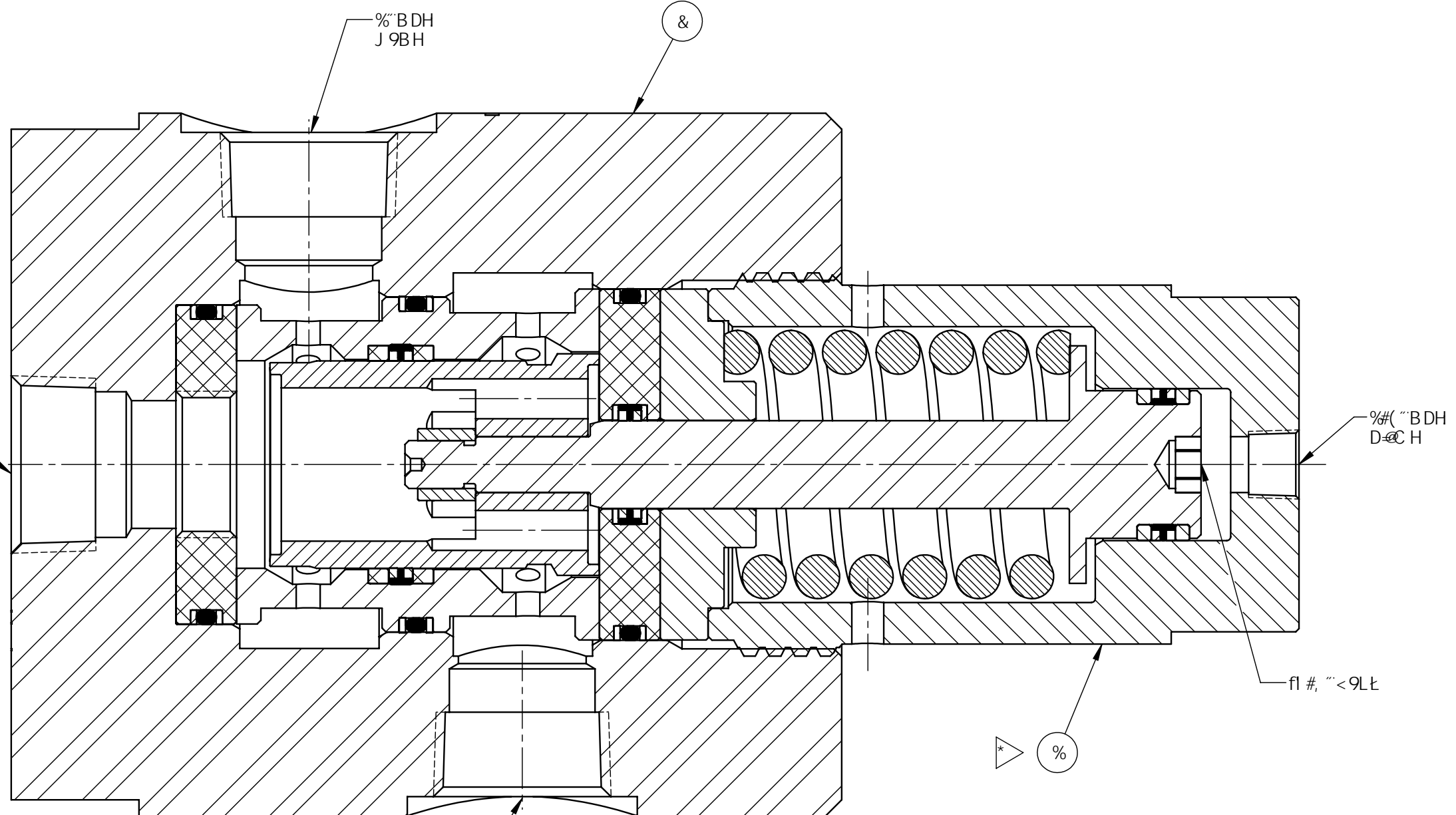
6@C: A 5HF-5@					
#9A BC	D5FHBI A 69F	8 9G7 F-DHC B		A 5HF-5@	F? G?
%	&- %\$	J 5@ 9Z 7 5FF -8; 9ZGDA Z; 9B &z%Z B"C "C F B"7 "z) z\$\$\$ DG-GI DD@M%#("' BDH 'D-C HDC FH		F9: 9F 'HC 'B8J 'D5FHG	% L L
&	&+ ' -)!&	6@ 7 ? zJ 5@ 9ZGDA Z'B"7 "z%"BDH z *\$\$\$ DG=		&+ ' -)	%

6

6

5

5



:1 B7 HC B
%"BDH

%"BDH
J 9BH

&

%"BDH
D-C H

fl #, "< 9L L

* %

%"BDH 'GI DD@M
FG<C K B 'FC H5H8 - \$°CI HC : 'DC G#HC B
: CF @ GF5HC B 'DI FDC G9L

G97 HC B '5!5



9B; B99F-B;

GAD	8K; BC			F9J
6		&- %\$-		5
G75@	% (Gc 'JK cf_g	G<99H & C: &	

(

&

%

BC H9G

A 5F? 7 CA DC B9BHK #k 5GG9A 6@MK "C "BI A 69F 5GG<CI @ CB
7 CA DC B9BH8F5K B;

A 5F? B; A 5F? 5GG<CK B I GB; @5G9F 9H7 <CF 7 CA DI H9F
7 CBHFC @98 8CHD99B A 5F? B; A 57 <B9Z "\$* < < A B 7 <5F57 H9FG"

CF 6CHCA G95@F9A CJ 5@I G9HC C @5H@%\$%\$!\$\$&"

LZ B 7 C @ A B 8 9D 7 HG D5FHG B G95 @? H I & - % \$ % G ? "

LZ B 7 C @ A B 8 9D 7 HG D5FHG B F9D5 F ? H I & - % \$ % F ? "

HC FE I 9HC &) : H @ 6 G "

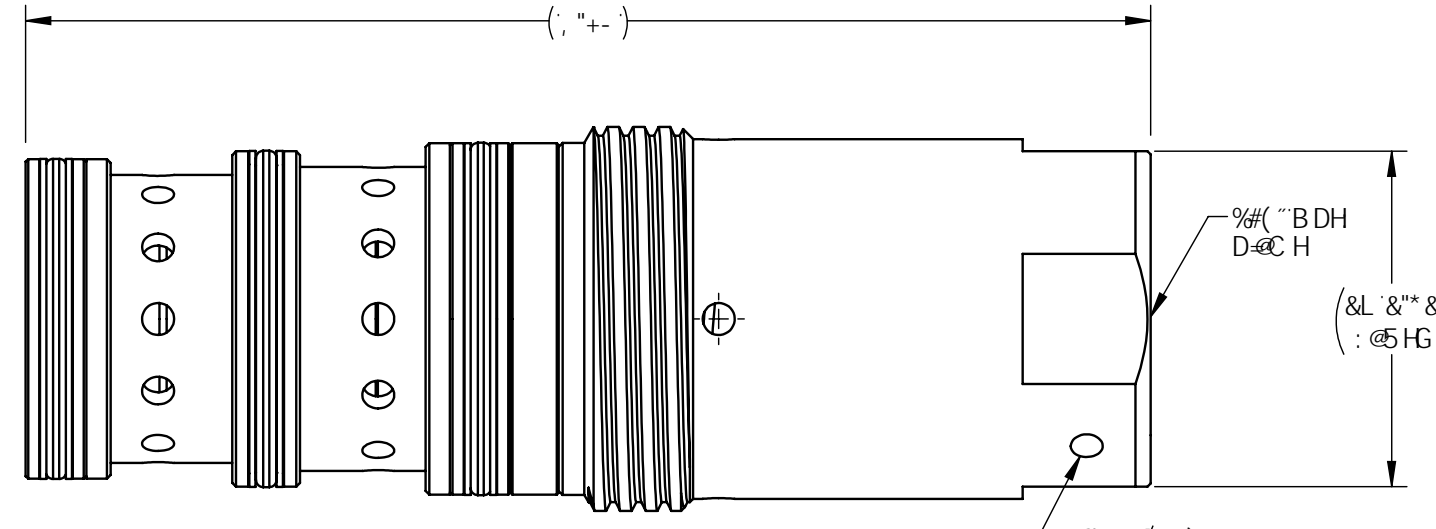
HC FE I 9HC " \$ \$: H @ 6 G B 6 @ 7 ? I G B ; GD97 5 @
HC C @ 5 H @ % \$ % % % "

5 @ A 5 BI : 57 H F98 #9A G5F9D5GGJ 5H98 "

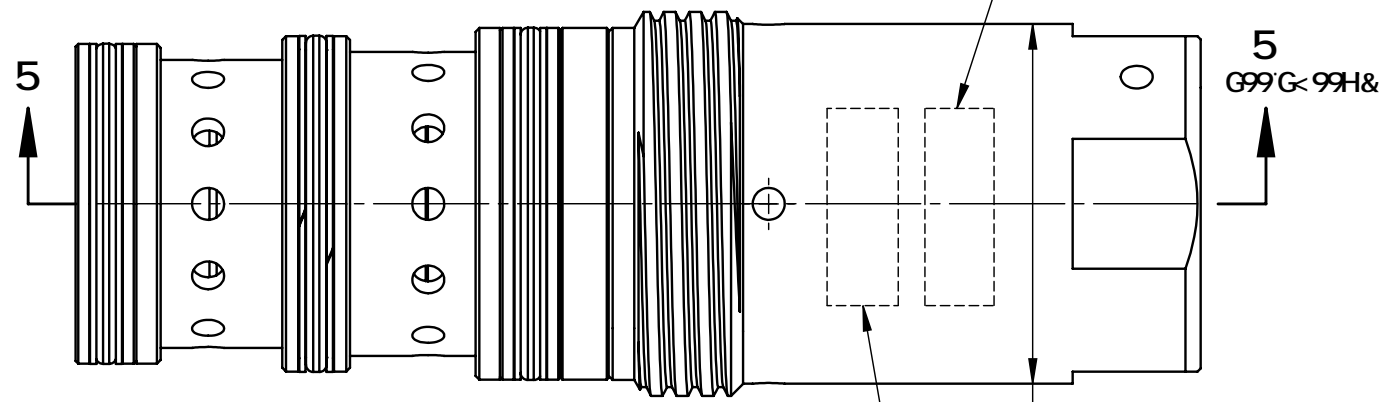
5GG9A 6@MDFC 7 98I F9.) \$ & , &
G5B85F8 : 5HDFC 7 98I F9.) \$ & ,
9LH9B898 : 5HDFC 7 98I F9.) \$ & ,
G9FJ 7 9A 5BI 5 @) % \$ & *

F9J GCBG				
F9J	9FB #97C BI A 69F	8F5K B	7 <97?98	5DDFC J 98
5	9FB '\$&' , %	JOP 4/13/20	CMCJ 4-13-20	AQP 4/13/20

DF9GGI F985H5
GI DD@MA 5K D.) \$\$\$ DG=
D@ HA 5K D.) \$\$\$ DG=
5H) \$\$\$ DG=GI DD@MF97 CA A 9B898
A B A I A D@C HDF9GGI F9.) \$\$\$ DG=
5H' \$\$\$ DG=GI DD@MF97 CA A 9B898
A B A I A D@C HDF9GGI F9.) \$\$\$ DG=
: @ K 85H5
7j 1;
A 5L A I A : @ K 75D57 #M "%+) ; DA
: @ 8G "%L K 5HF 65G98 8F @ @ B ;
: 7 CBHFC @ : @ 8 "
: & " L A B 9F5 @ C @ 65G98 8F @ @ B ;
: 7 CBHFC @ : @ 8 "
: 9B9F5 @ 85H5
H9A D9F5H F9F5B ; 9. " & : HC % \$ % ;
5DDFC L K 9 < H % \$ % @ G
: 9 @ 9FJ 7 956 @

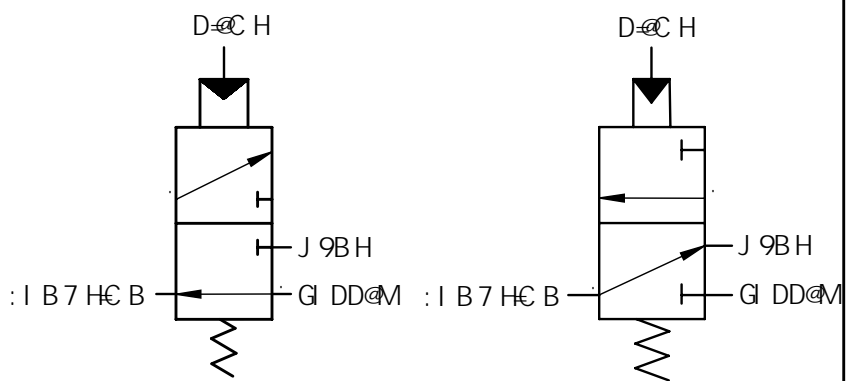


A 5F? K #k @ C ; C 5B8
7 CA D5BM B : C FA 5HC B
Gilmore GEN2



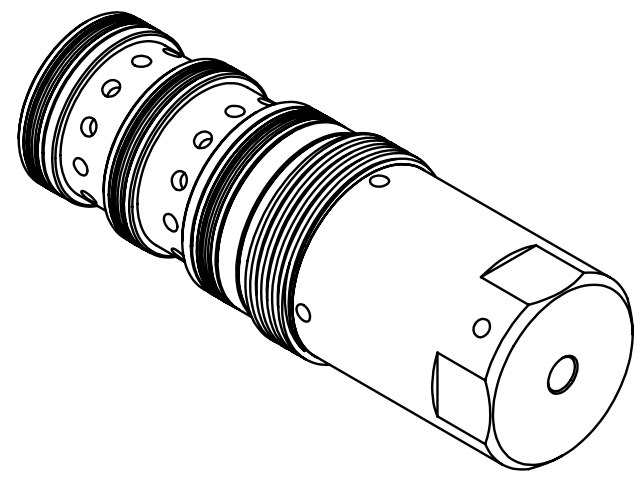
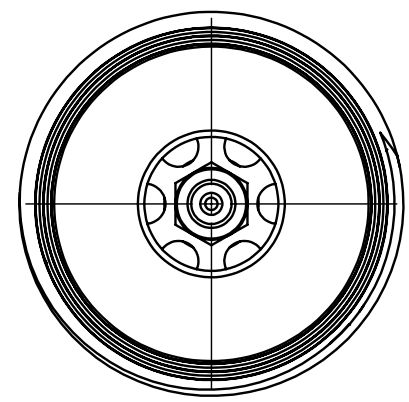
J 9F f5L J 9FG@B L
fG9F 5@BI A 69F L
D5H9BHD9B8 B ;
) \$\$\$ DG=
fB5H9C : A : ; L
G99G < C D HF5J 9@9F
: CF 588 #C B5 @
B : C F9E I F98

D5H9BHD9B8 B ;

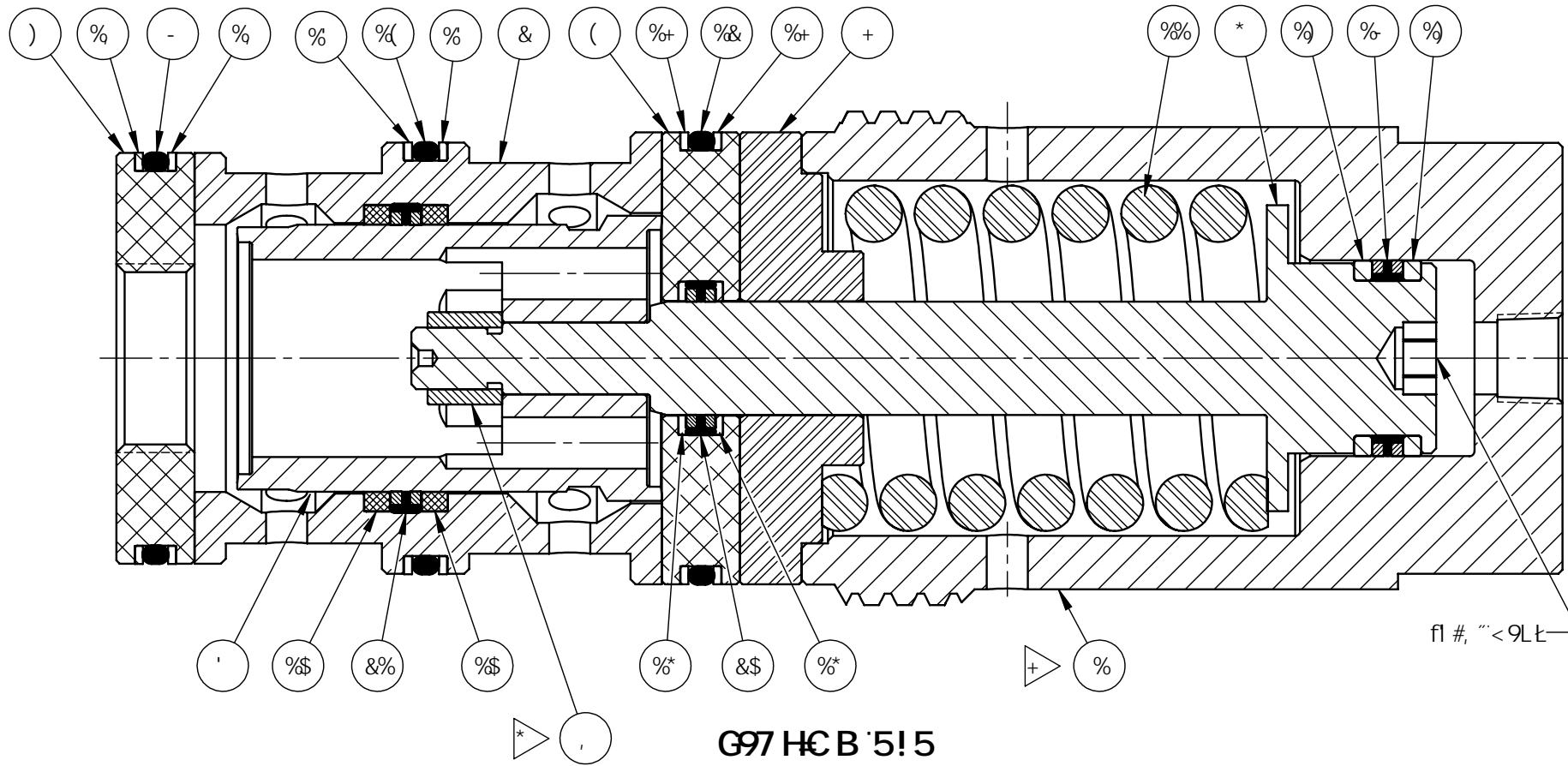


G7 < 9A 5H7
B"C"

G7 < 9A 5H7
B"7"

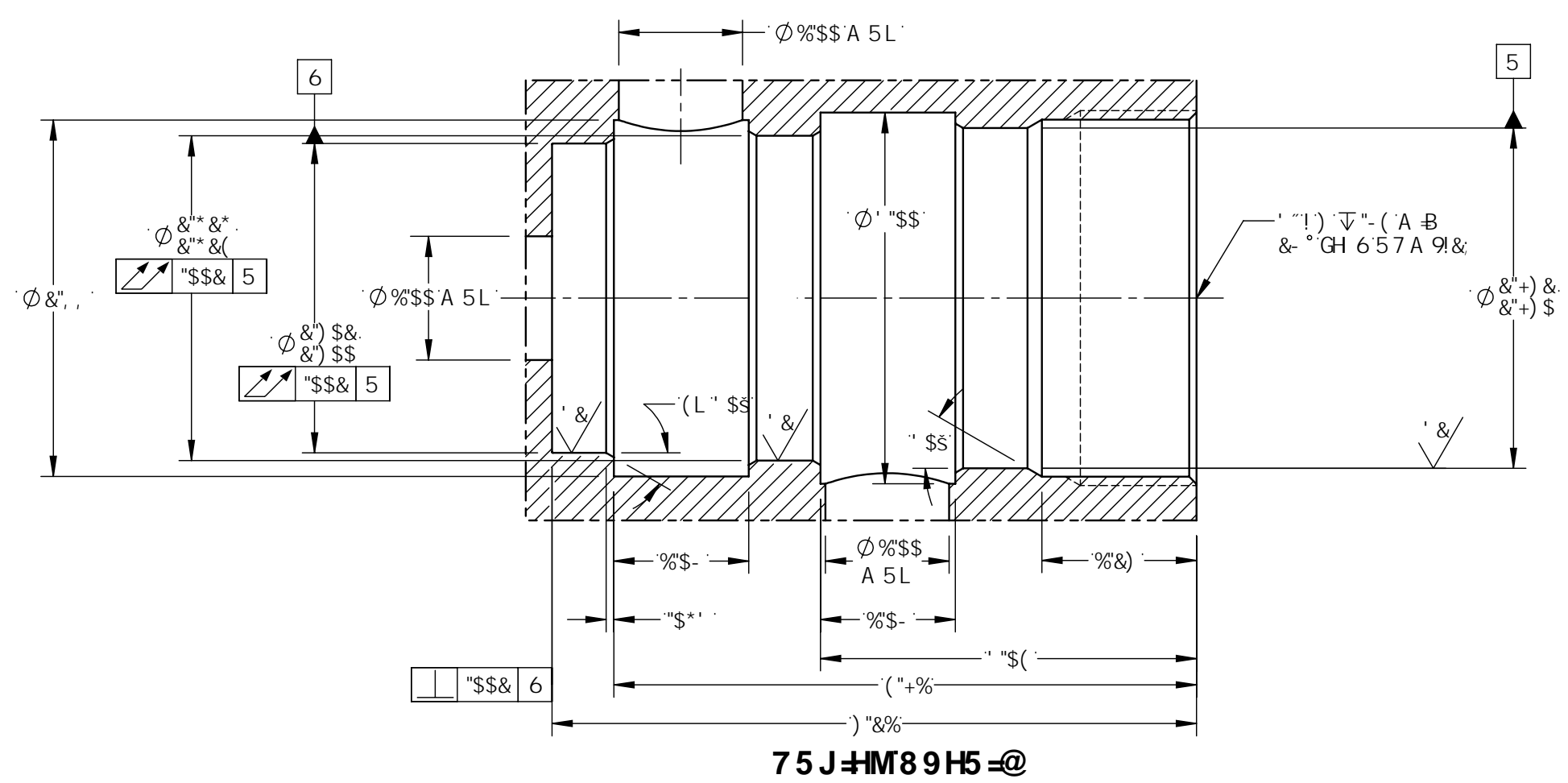


A 5H9F 5 @ F9: 9F HC B8J D5FHG	8A 9BGC BG5B8 HC @F5B7 9G5F9 B B7 < 9GD9F 5GA 9M() A 1% - (" I B @GGC H: 9FK @9 GD97 = 98. %L HC @9F5B7 9G " L : ± % " LL : ± % \$ % " LLL : ± % \$ \$) 5B : @9G ±) * & L G F : 57 9H9LH F9. ** ✓	5DDFC J 5 @ 8F5K B 6M 7 < 97?98 6M 9B : B 99F 9FB BI A 69F	JOP CMCJ AQP \$&' , % \$%#& , #&\$	85H9 4/13/20 85H9 4-13-20 85H9 4/13/20 85H9	9B ; B99F B ; a pro/ery company
7CB8 #HC B.	' L 7CF58 5 @ : 95H F9GG < 5 @ 69 © K #k B " % \$ % (L 6F 95 ? G < 5FD 98 ; 9G " % \$ %) L B H9F B 5 @ F 58 = G < 5 @ 69 " % \$ % " A 5L * L 8F @ DC B H G C D H C B 5 @ K < 9B G < C K B I B GD97 = 98 Z 5 @ 8 F @ DC B H 5 B ; @ 9G G < 5 @ 69 69 K 99B - \$ " % \$ *	Hk 9 B : CFA 5HC B 7 CBH5 B 98 B Hk 68F5K B : 6Hk 9 GC @ DFC D9F HMC : ; A CF9J 5 @ 97C I B @ 9GGC Hk 9FK @ 9 G5H98 " 5B MF9DFC 8I 7HC B B D5FHCF K < C @ K #k C I H Hk 9K F #H9B D9FA @ GC B C : ; A CF9J 5 @ 97C @ DFC < 698 "			J 5 @ 9Z 7 5 FH F 8 ; 9Z GDA Z ; 9B & Z % Z B " C " C F B " 7 " Z) \$\$\$ DG=GI DD@M %# (" " BDH " D@C HDC FH
HF95HA 9BH					GAP 8K : BC
DFC 7 98I F9 BI A 69F.					6
					5
					G7 5 @ % (Gc JXK cf_g G < 99H % C : &



6-@C: A 5HF-5@

#PA BC	D5FH BI A 69F	8 9G7 F-DHC B	A 5HF-5@	E HM	F?	G?
%	%' *\$(GDF-B; <C I GB;	5&+ 'HD'G&%% \$\$ FB #FC B-7 '* \$L	%		
&	%')-	GD5 7 9F ZJ 5 @ 9Z GDA Z%Z ; 9B &	5&+ 'HD'G&%% \$\$ FB #FC B-7 '* \$L	%		
'	%')--	G95 @G@9J 9	5&+ 'HD'G&%% \$\$ FB #FC B-7 '* \$L	%	L	
(%' *\$\$	G95 HZHC DZJ 5 @ 9Z GDA Z%Z ; 9B &	8 9@F B) %D	%	L	L
)	%' *\$%	G95 HZ6C HCA	8 9@F B) %D	%	L	L
*	%' *\$&	D-GHC B FC 8 ZG<C I @ 9F 98	5&+ 'G&\$- %\$ FB #FC B-7) \$L	%		
+	%' *\$'	6I G<B; ZJ 5 @ 9Z GDA Z%Z ; 9B &	5GHA '6%' - '7 *%(\$\$ FB @ A-B I A '6FC BN9L'	%		
,	&%@%&(\$\$)	<9L @C 7? 'BI HZBM@C B	:)- ('5@@CM; F' &z B M@C B fl %' GGL	%	L	L
-	% \$\$!%\$%Z%	C I F B;	<B 6F	%	L	L
\$\$	&+% %	K 95F '65B8	8 9@F B '5;	&	L	L
%%	&+% +	GDF-B; '7 C A DF 9GG@ B	'5' % 'HD' %'	%		
%&	% \$\$!%\$%(\$?)%	C I F B;	<B 6F	%	L	L
%	&\$- &+%	F-B; Z 657 ? I D	D99?	&	L	L
%{	% \$\$!%\$%Z%	C I F B;	<B 6F	%	L	L
%}	%' *\$)	K 95F '65B8	8 9@F B '5;	&	L	L
%*	%' *\$*	F-B; Z 657 ? I D	D99?	&	L	L
%+	%' *\$+	F-B; Z 657 ? I D	D99?	&	L	L
%	%' *\$,	F-B; Z 657 ? I D	D99?	&	L	L
%	% %\$, !\$(HG95 @D-GC B	7 5F6C LM@5H8 B #F @ #BM@5HFC B	%	L	L
&\$	% %\$, !)\$-	HG95 @FC 8	7 5F6C LM@5H8 B #F @ #BM@5HFC B	%	L	L
&%	&\$+) ',	HG95 @G@9J 9	7 5F6C LM@5H8 B #F @ #BM@5HFC B	%	L	L



Gilmore a precision company

8B; B99B;

GAD	8K; BC	F9J
6		5
G75@	%{	Gc JK cf_g
		G-99H & C: &

(

&

%

BC H9G

▶ A 5F?B: .A 5F?7CA DCB9BHK #k 5GG9A 6@MK "C"
5GG<CK B'CB'H<97CA DCB9BH8F5K -B;

& A 5F?B: .A 5F?5GG<CK B'I GB; @G9F 9H7 <CF 7CA DI H9F
7CBHC @98 8CHD99B A 5F?B; A 57 <B 9Z"\$* <≠ <
A -B 7 <5F57 H9FG"

' " : CF 6CHCA G95@F9A CJ 5@I G9HC C @5H@%\$\$\$!\$\$\$&"

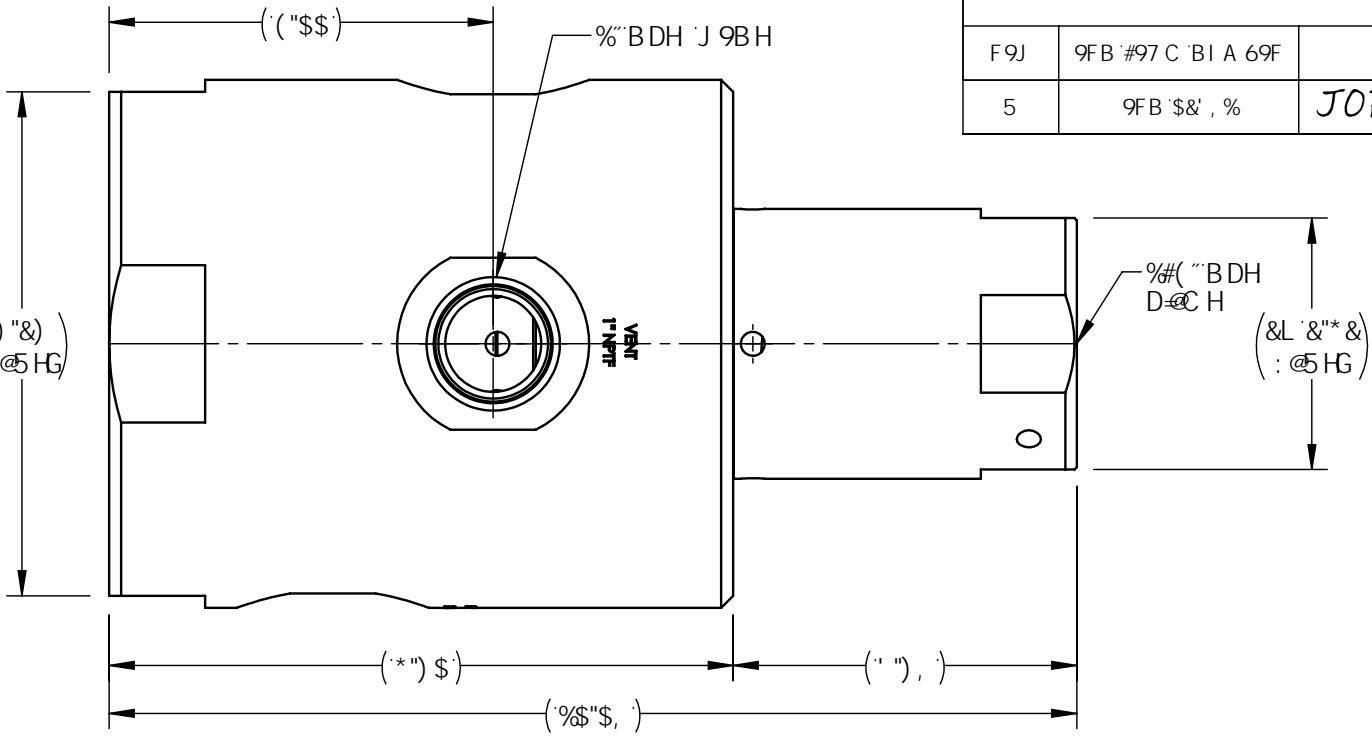
(" LZ-B 7C @ A B 89D=7 HG D5FHG-B G95@? #I&- %0\$ G?"

)" LZ-B 7C @ A B 89D=7 HG D5FHG-B F9D5 F ? #I&- %0\$ F?"

* HC FE I 975FH F-B; 9HC " \$\$: H@G-B A 5B=C @6@ 7?
I GB; GD97 -5@HC C @5H@%\$%00"

+ 5GG9A 6@MDFC 798I F9.....) \$& &
G5B85F8: 5HDFC 798I F9.....) \$& ,
9LH9B898: 5HDFC 798I F9.....) \$& , (
G9FJ 79A 5BI 5@.....) %\$&*

F9J GCBG				
F9J	9FB #97C BI A 69F	8F5K B	7 <97?98	5DDFC J 98
5	9FB '\$& , %	JOP 4/13/20	CMJ 4-13-20	AQP 4/13/20



DF9GG F985H5

GI DD@MA 5K D:) \$\$\$ DG=

D@ HA 5K D:) \$\$\$ DG=

5H) \$\$\$ DG=GI DD@MF97CA A 9B898

A -B A I A 'D@ HDF9GG F9:) \$\$\$ DG=

5H) \$\$\$ DG=GI DD@MF97CA A 9B898

A -B A I A 'D@ HDF9GG F9:) \$\$\$ DG=

:@CK 85H5

7j 1;

A 5L: @CK 75D57 #M%+); DA

:@ BG %LK 5HF 65G98 8F @B;

7CBHC @: @ -8"

&LA -B 9F5@C @65G98 8F @B;

7CBHC @: @ -8"

DC FHG

GI DD@M " " %"BDH

I B7HC B: " " %"BDH

J 9BH %"BDH

D@C H %#("BDH

: 9B9F5@85H5

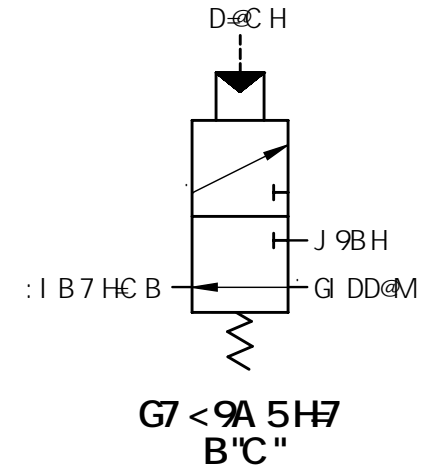
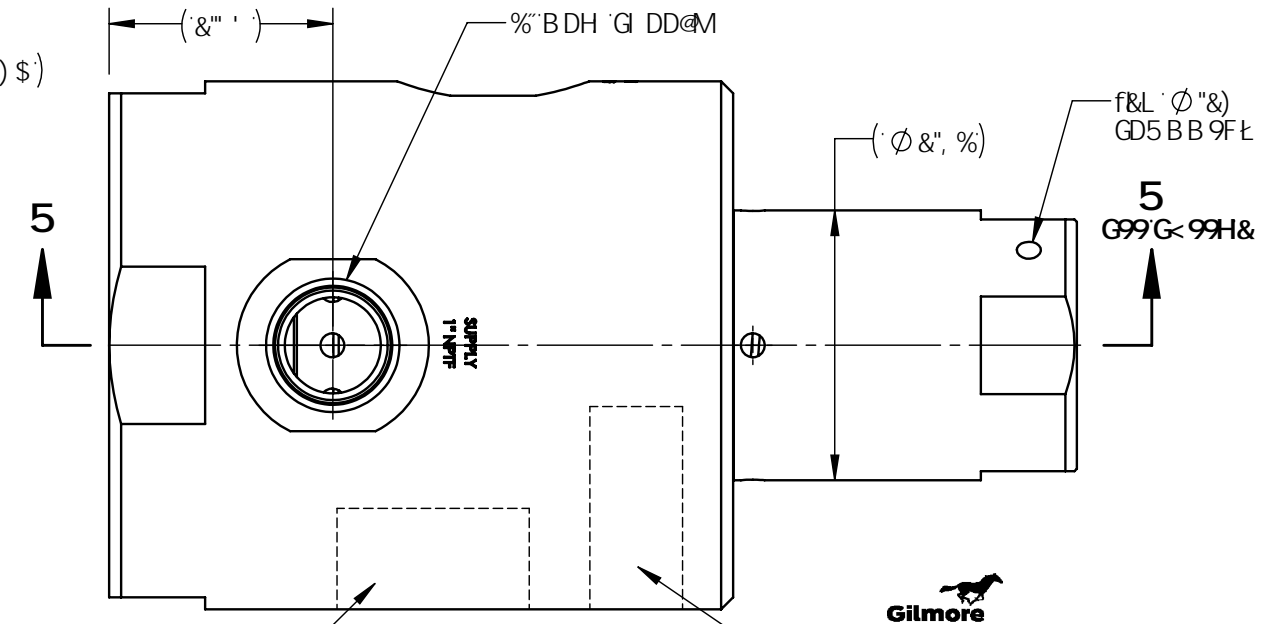
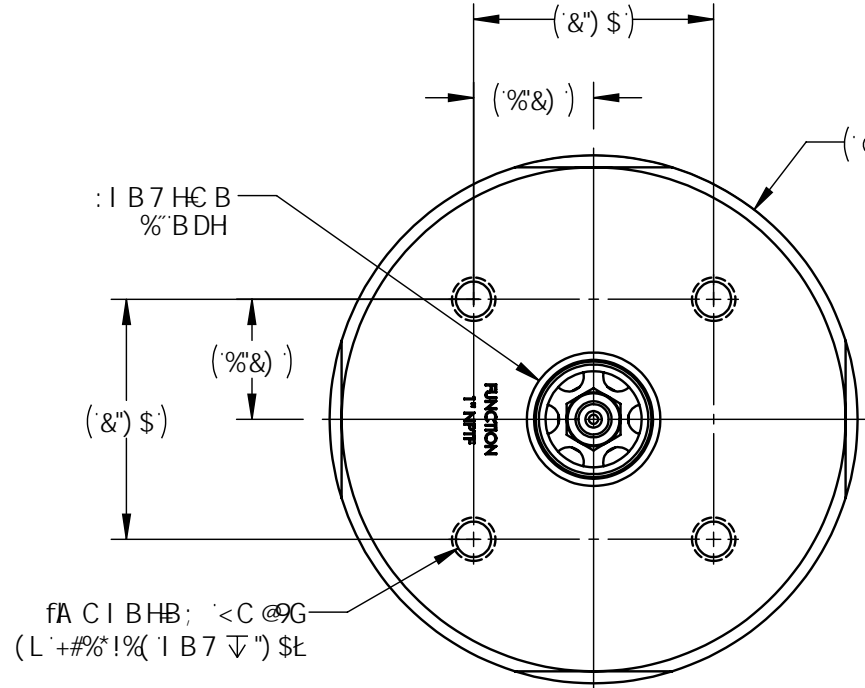
H9A D9F5H F9F5B; 9: " &: HC %0\$:

5DDFC L'K 9< H'(' @6G

: 9@8 G9FJ 7956@

6

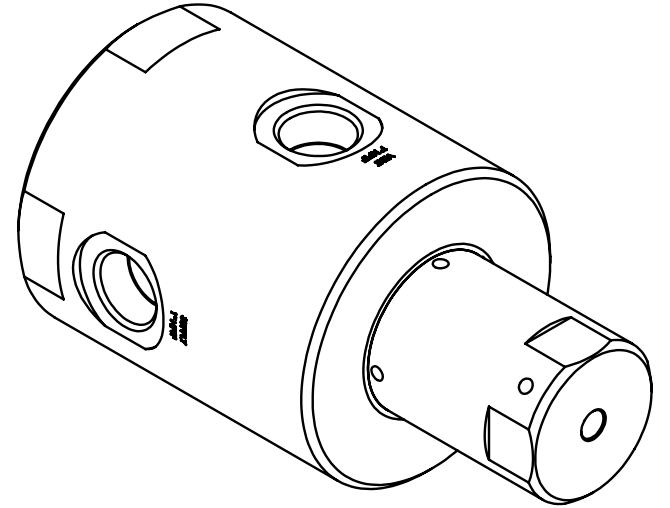
6



A 5F?K #k @C; C 5B8
7CA D5BMB: C FA 5HC B

5

5



&- %00% &

J 9F f5L J 9FGC B: L
fG9F -5@BI A 69F!
G5A 9'G#B 5G 75FH F-B; 9L
D5H9B HD9B 8-B;
) \$\$\$ DG=

fB5H9C: A: ; L

G99G<C D'HF 5J 9@F
: CF 588 #C B5@
-B: C F9E I F 98

A 5H9F 5@ G99D5FHGCB -B8 = 6CA	8A 9BGC BG5B8 HC @F5B7 9G5F9 B -B 7 <9GD9F 5GA 9M(") A 1% - (" I B@GGC H: 9FK @9GD97 = 98. %LHC @F5B7 9G "L: ±% "LL: ±\$% "LLL: ±\$\$) 5B: @9G ±") *	5DDFC J 5@	8F5K B 6M	85H9	4/13/20
7CB8 #CB.	&L G F: 57 9H L H F9. **	JOP	7 <97?98 6M	85H9	4-13-20
HF95HA 9BH	'L 7CF58-5@: 95H F9GG<5 @69 © K #k-B "\$S (L 6F95? G<5FD 98; 9G "\$S) L -B H9FB5@F58 =G<5 @69 "\$S" A 5L *L 8F @DC -BHG C DHC B5@K <9B G<C K B I BGD97 = 98Z5 @8F @DC B H5B; @9G G<5 @69 69K 99B -S "%(\$*	9B: B 99F	9B: B 99F	85H9	4/13/20
DFC 798I F9BI A 69F.		AQP	9FB BI A 69F	85H9	\$& , % \$%#&- #&\$
			Hk9-B: CFA 5HC B 7CBH5-B98 -B Hk-68F5K -B: 6Hk-9 GC @DFC D9FHMC: ; @A CF9J 5@ 97C I B@GGC Hk9FK @9 G5H98" 5B MF9DFC 8I 7HC B -B D5FHC F K <C @K #k C I H Hk9K F #H9B D9FA @GC B C: ; @A CF9J 5@ 97C @DFC <6H98"		

Gilmore 9B; B99F-B;

a pro/ery company

J 5@ 9Z%žGDA ž; 9B &žB"C"ž
%"BDH 6@ 7? DC FHG %#("
BDH D@C HDC FH

GAP	8K: BC	F9J
6		5
G7 5@ % (Gc JK cf_g	G<99H % C: &

(

&

%

(

&

%

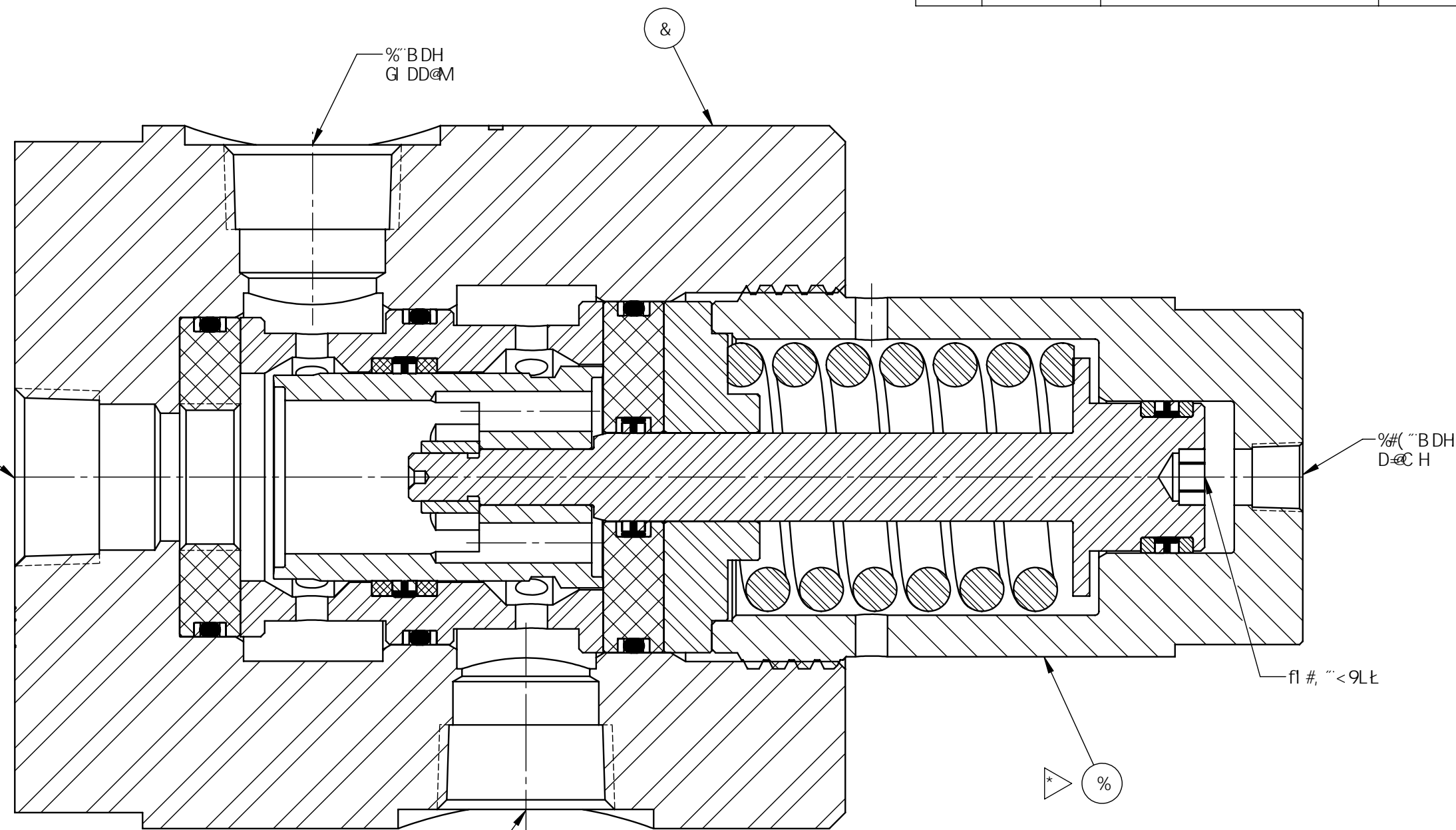
6@C: 'A 5H9F-5@					
#9A 'BC	D5FHBI A 69F	8 9G7 F-DHC B	A 5H9F-5@	E HM	F? G?
%	&- %8\$	J 5@ 9z7 5FH B; 9zGDA z: 9B '&z%' B"C "C F B"7 "z) z\$\$\$DG=G DD@z%#("' BDH 'D@C HDC FH	F 9. 9F 'HC 'B 8J 'D5 FHG	%	L L
&	&+ ' -)!%	6@C 7?zJ 5@ 9zGDA zB"C "z%"BDH z *\$\$\$DG=	5&+* 'HD' %'	%	

6

6

5

5



fg<CK B 'FC H5H98 ' - \$°C I HC : 'DC G#HC B
: CF @ GF5HC B 'DI FDC G9Gk

G97 HC B '5!5

 Gilmore <small>a pro/enr company</small>		9B; B99F-B;
GAD 8K; 'BC	6	F9J &- %8% 5
G75@ %('	Gc 'JK cf_g	G<99H & C: &

(

&

%

BC H9G

A 5F? 7 CA DC B9BHK #k 5GG9A 6@MK "C "BI A 69F 5GG<CI @ CB
7 CA DC B9BH8F5K B;

A 5F? B; A 5F? 5GG<CK B I GB; @5G9F 9H7 <CF 7 CA DI H9F
7 CBHFC @98 8CHD99B A 5F? B; A 57 <B9Z "\$* < < A B 7 <5F57 H9FG"

" : CF 6CHCA G95 @F9A CJ 5@I G9HC C @5H@%\$%\$!\$\$&"

(" LžB 7 C @ A B 89D=7 HG'D5FHG B G95 @? #I&- %&&'G?"

)" LžB 7 C @ A B 89D=7 HG'D5FHG B F9D5 F ? #I&- %&&'F?"

* HC FE I 9HC &) : H@6G"

+ HC FE I 9HC " \$\$: H@6G B 6@ 7? I GB; GD97 5@
HC C @5H@%\$%\$%\$"

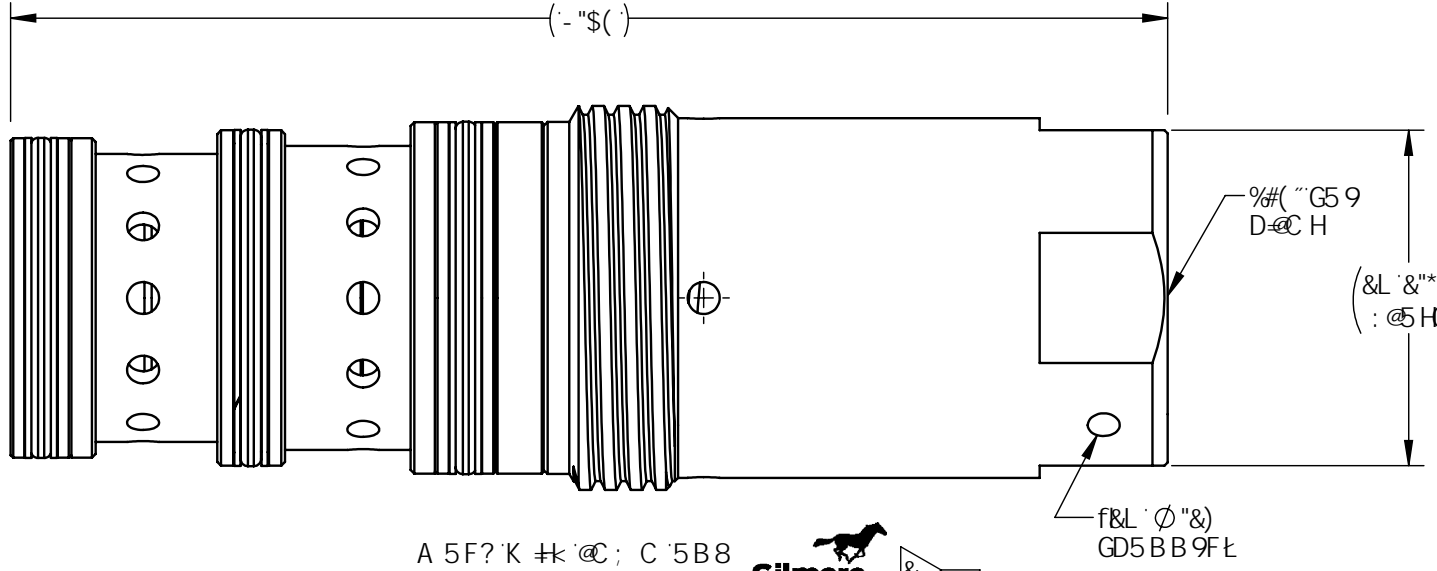
5 @A 5BI : 57 H F98 #9A G5F9D5GGJ 5H98"

5GG9A 6@MDFC 798I F9.) \$&, &
G5B85F8 : 5HDFC 798I F9.) \$&, '
9LH9B898 : 5HDFC 798I F9.) \$&, ('
G9FJ 7 9A 5BI 5@) %\$&*

F9J GCBG				
F9J	9FB #97C BI A 69F	8F5K B	7 <97?98	5DDFC J 98
5	9FB '\$&', %	JOP 4/13/20	CMCJ 4-13-20	AQP 4/13/20

6

6

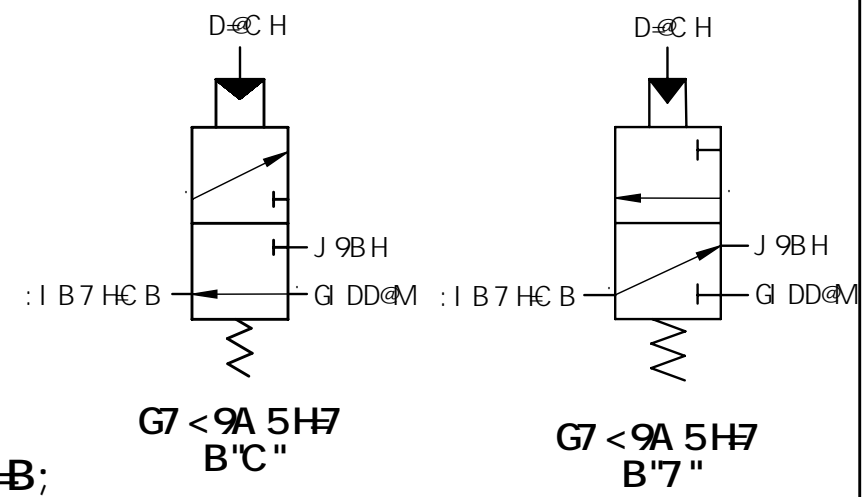
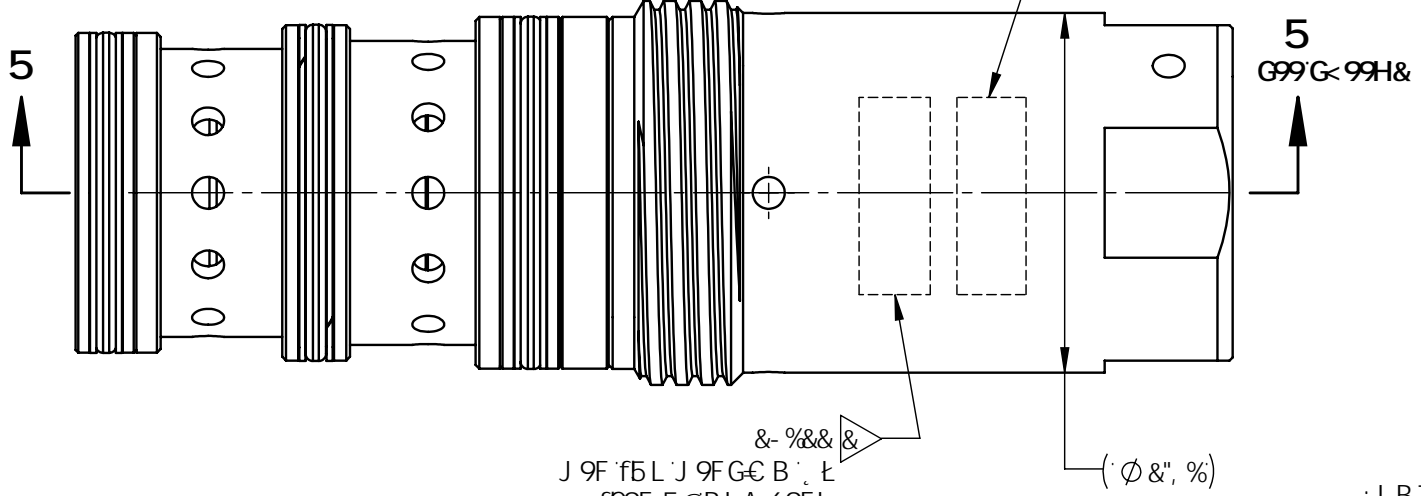
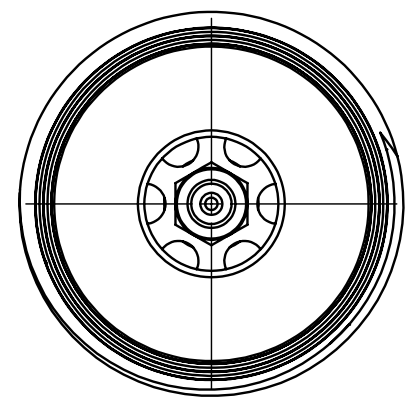


DF9GGI F985H5
GI DD@MA 5K D.) \$\$\$'DG=
D@ HA 5K D.) \$\$\$'DG=
5H) \$\$\$'DG=GI DD@MF97 CA A 9B898
A B A I A D@C HDF9GGI F9.) \$\$\$'DG=
5H' \$\$\$'DG=GI DD@MF97 CA A 9B898
A B A I A D@C HDF9GGI F9.) \$\$\$'DG=
: @K 85H5
7j 1;
A 5L A I A : @K 75D57 #M "%+); DA
: @ 8G "%L K 5HF 65G98 8F @B;
.....) 7 CBHFC @: @ 8"
.....) &"L A B 9F5 @C @65G98 8F @B;
.....) 7 CBHFC @: @ 8"
: 9B9F5 @85H5
H9A D9F5H F9F5B; 9. " &: HC %\$ %;
5DDFC L K 9# <H) %\$@G
: 9@ G9FJ 7 956@

A 5F? K #k @C; C 5B8
7 CA D5BM B: CFA 5HC B

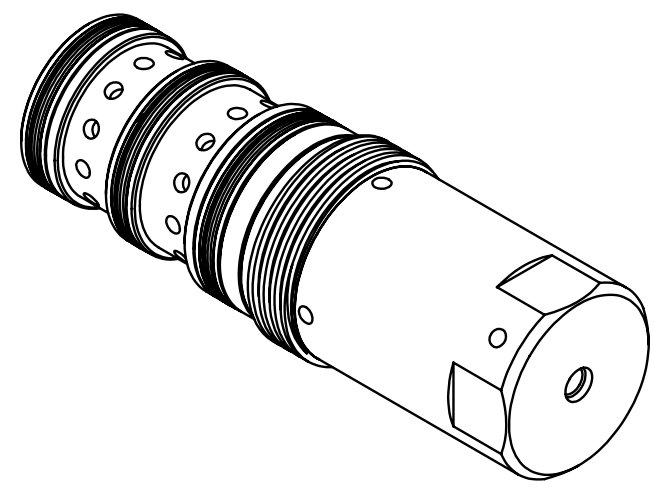


f&L Ø" &) GD5BB9F L



5

5



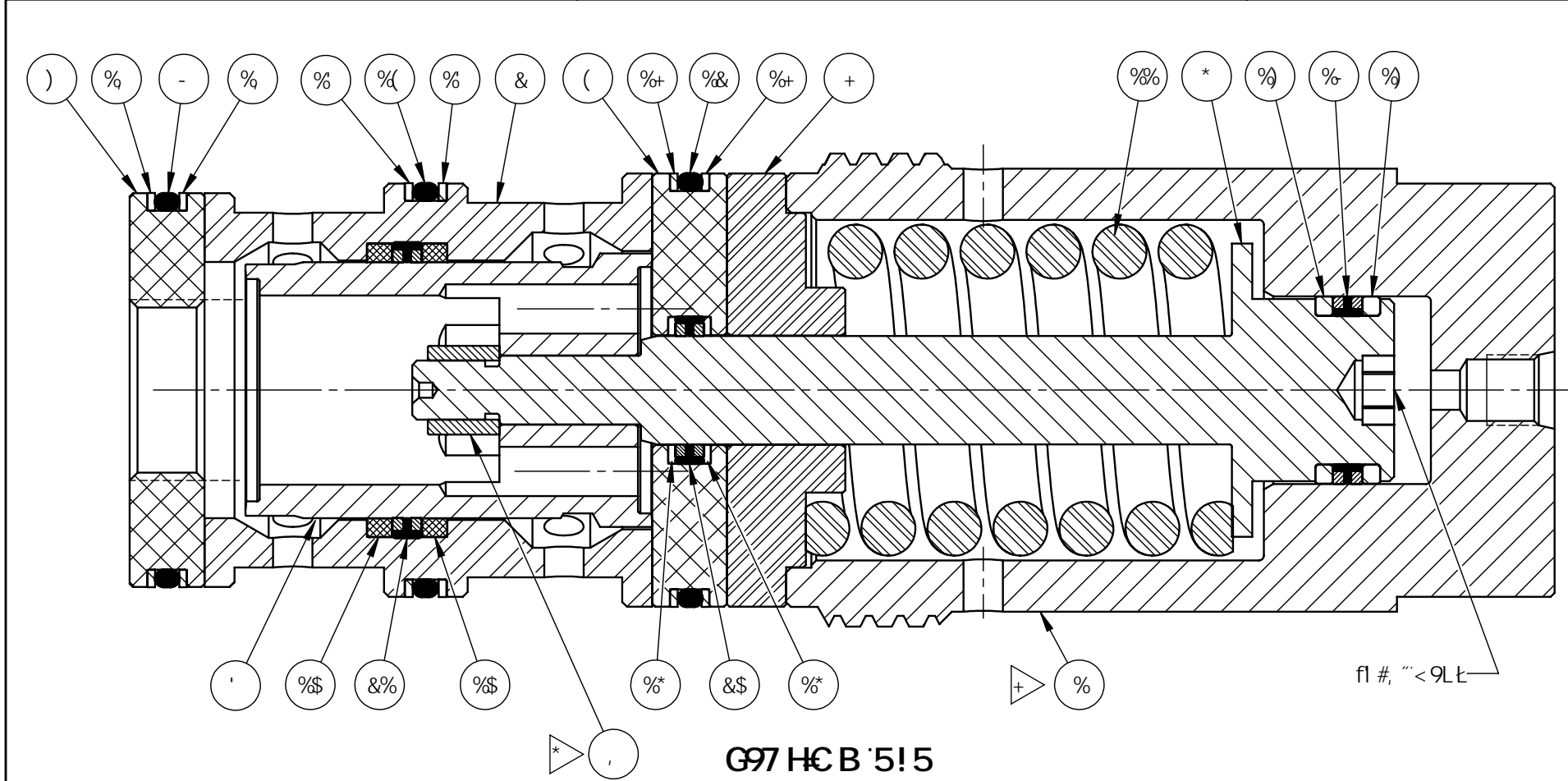
A 5H9F 5@ F9: 9F HC B8J D5FHG	8A 9BGC BG5B8 HC @F5B7 9G5F9 B B7 <9GD9F 5GA 9M() A 1% - (" I B @GGC H: 9FK @9GD97 ≠ 98. %L HC @9F5B7 9G "L: ±"% "LL: ±"\$% "LLL: ±"\$%) 5B: @9G ±") ° &L G F: 57 9H9LH F9. ** ✓	5DDFC J 5@	85H9 4/13/20	9B; B99F B;
7CB8 #HC B.	' L 7CF58 5@: 95H F9GG<5 @69 © K #k B "\$% (L 6F 95? G<5FD 98; 9G "\$%\$) L B H9FB5 @F58 =G<5 @69 "\$% A 5L *L 8F @DC B H G C D H C B 5@K <9B G<C K B I B GD97 ≠ 98 Z 5 @8F @DC B H 5B; @9G G<5 @69 69K 99B - \$ "% \$	8F5K B 6M JOP 4/13/20	85H9 4-13-20	
HF 95HA 9BH		7 <97?98 6M CMCJ 4-13-20	85H9 4/13/20	
DFC 798I F9BI A 69F.		9B: B99F AQP 4/13/20	85H9 4/13/20	
		9FB BI A 69F \$&', % \$(# \$, # & \$	85H9	J 5@ 9Z 7 5FH F-B; 9Z GDA Ž; 9B &ž %ž B "C "CF B "7 "Z) \$\$\$'DG=GI DD@M %H("G59D@C HDC FH
		Hk 9 B: CFA 5HC B 7 CBH5 B98 B Hk 68F5K B: 6Hk 9 GC @DFC D9F HMC : ; @A CF9J 5@ 97C I B @GGC Hk 9FK @9 G5H98 " 5B MF9DFC 8I 7HC B B D5FHCF K <C @K #k C I H Hk 9K F #H9B D9FA @GC B C : ; @A CF9J 5@ 97C @DFC < 6H98		
				F9J
				6 &- %&& 5
				G7 5@ % (Gc JK cf_g G<99H % C: &

D5H9BHD9B8-B;

(

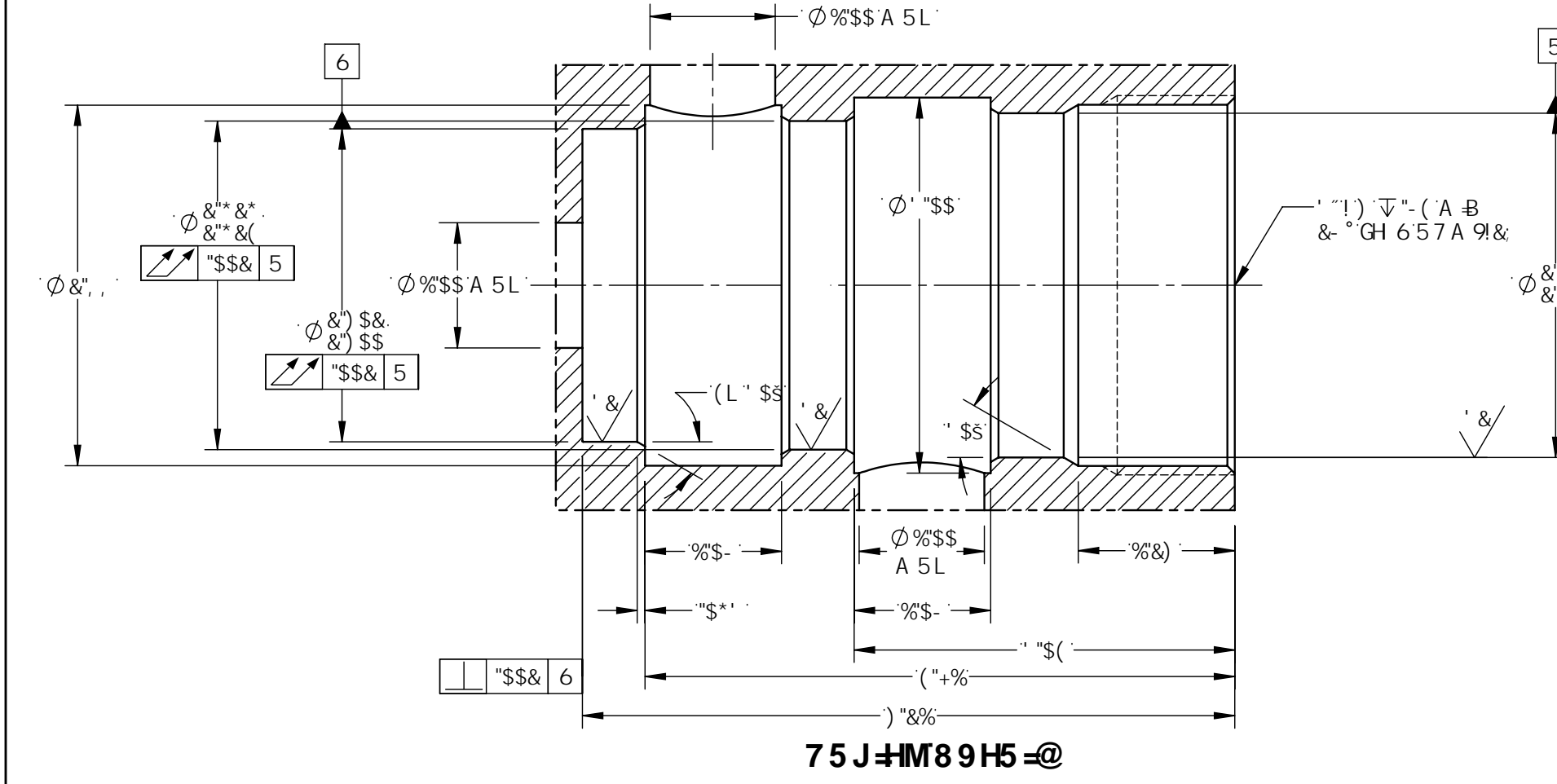
&

%



6@C: A 5H9F-5@

#PA BC	D5FH BI A 69F	8 9G7 F DHC B	A 5H9F-5@	E HM	F?	G?
%	&\$- &(-	GDF-B; <C I GB;	5 &+* 'HD'G&%% \$ \$ fB #FC B-7 *\$t	%		
&	% ')-,	GD5 7 9F	5 &+* 'HD'G&%% \$ \$ fB #FC B-7 *\$t	%		
'	% ')- --	G95 @G@99J 9	5 &+* 'HD'G&%% \$ \$ fB #FC B-7 *\$t	%	L	
(% ' *\$ \$	G95 HHC D	8 9@F-B)%D	%	L	L
)	% ' *\$ %	G95 HHC A	8 9@F-B)%D	%	L	L
*	% ' *\$ &	DHC B FC 8 ZG<C I @8 9F 98	5 &+* 'G&\$- %\$ fB #FC B-7) \$t	%		
+	% ' *\$ '	6I G<-B;	5 GA '6%' - 7 *% (\$ \$ fB @ A -BI A '6FC BNPL	%		
,	&%%@&(\$ \$)	<9L @C 7? 'BI HZBM@C B	:)- ('5@C M; F &Z BMC B 'fl %' GGL	%	L	L
-	% %\$!%\$%?	C !F-B;	<B 6F	%	L	L
%\$	&+ % %	K 95F '65B 8	8 9@F-B '5:	&	L	L
%%	&+ % +	GDF-B; '7 C A DF 9GG<C B	5 ' % 'HD' %'	%		
%&	% %\$!%\$(?%	C !F-B;	<B 6F	%	L	L
%	&\$- &+%	F-B; Z65 7 ?I D	D99?	&	L	L
%{	% %\$!%\$%?	C !F-B;	<B 6F	%	L	L
%}	% ' *\$)	K 95F '65B 8	8 9@F-B '5:	&	L	L
%*	% ' *\$ *	65 7 ?I DF-B;	D99?	&	L	L
%+	% ' *\$ +	65 7 ?I DF-B;	D99?	&	L	L
%	% ' *\$,	65 7 ?I DF-B;	D99?	&	L	L
%	% %\$, !\$(HG95 @D-GC B	7 5F6C LM5H98 B #F @ #BM5HFC B	%	L	L
&\$	% %\$, !)\$-	HG95 @FC 8	7 5F6C LM5H98 B #F @ #BM5HFC B	%	L	L
&%	&\$+)'	HG95 @G@99J 9	7 5F6C LM5H98 B #F @ #BM5HFC B	%	L	L



9B; B99F-B;

GA9	8K; BC	F9J
6	&- %&&	5
G7 5@	% (G< JK cf_g
		G< 99H & C: &

BC H9G

A 5F?B; A 5F?7CA DCB9BHK #k 5GG9A 6@MK "C"
5GG<CK B'CB'Hk97CA DCB9BH8F5K B;
A 5F?B; A 5F?5GG<CK B'IGB; @5G9F 9H7 <CF
7CA DI H9F 7CBHFC @98 8CHD99B A 5F?B; A 57 <B9z
"\$* <÷ <A B 7 <5F57H9F"

H9GHDFC 798I F9.....) \$\$, +
5GG9A 6@MDFC 798I F9.) \$\$, &
G9FJ 79A 5BI 5@.....) %\$&*

HC FE I 9GDA BHC 6@7?K #k 5H@%\$%0%5H' \$\$: H@6"

A I GH69GH5A D98 DF€ F HC 5GG9A 6@M

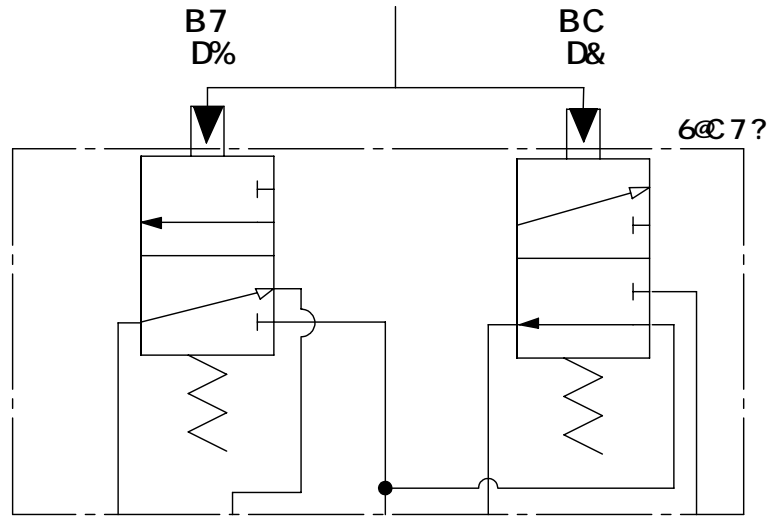
I G9'G 6'5GG9A 6@MF9D5 F ? #I

I G9'G 6'5GG9A 6@MG95 @? #I

+ " : C F 6C HC A G95 @F9A C J 5 @I G9'HC C @5H@%\$%\$!\$\$&"

, " LZB 7C @ A B 89D 7 HG D5 FHG B G95 @? #I & %\$G "

- " LZB 7C @ A B 89D 7 HG D5 FHG B F9D5 F ? #I & %\$F ? "



G7 <9A 5H7

F9J GCBG				
F9J	9FB #97C BI A 69F	8F5K B	7 <97?98	5DDFC J 98
5	9FB '\$&', %	JOP 4/20/20	CMJ 4-20-20	AQP 4/20/20

DF9GG F985H5

GI DD@MA 5K D.) \$\$\$DG=
D@C HA 5K D.) \$\$\$DG=

5H) \$\$\$DG=GI DD@MF97CA A 9B898
A B A I A D@C HDF9GG F9.) \$\$\$DG=

5H' \$\$\$DG=GI DD@MF97CA A 9B898
A B A I A D@C HDF9GG F9.) \$\$\$DG=

:@K 85H5

7j 1;
A 5L : @K 75D57 #M%+) ; DA

: @ 8G %LK 5HF 65G98 8F @B;

.....7CBHFC @; @ 8"

.....&L'A B9F5@C @65G98 8F @B;

.....7CBHFC @; @ 8"

DC.FHG

GI DD@M' " %BDH

: I B7HC B %' " %BDH

: I B7HC B &' " %BDH

J 9BH " %BDH

D@C H %#("BDH

D@ ; " %G59

: 9B9F5@85H5

H9A D9F5H F9F5B; 9. " &: HC %\$ %:

5DDFC L K 9# <H %% @G

: 9@8 G9FJ 7 956@

(A C I B H B ; < C @ 9 G)

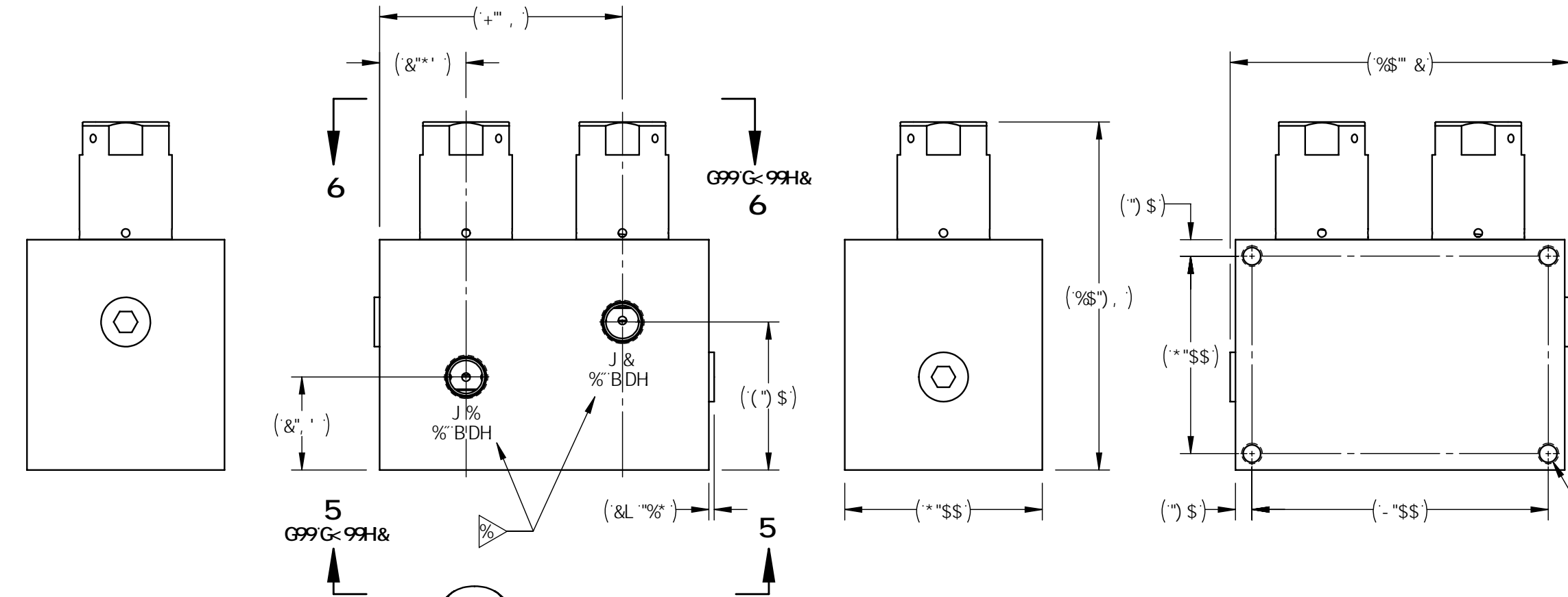
((L) # , ! % % I B 7 " " " % \$ \$)

6

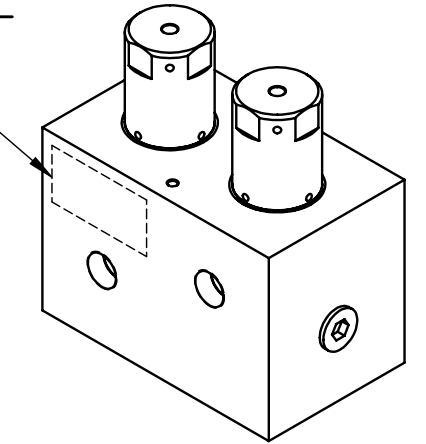
6


5

5



&- %&
J 9F f5L J 9FGC B' L
fG9F 5@BI A 69F!
G5A 9'G#B 5G7 5FH 8; 9L
D5H9B HD9B 8 B;
) \$\$\$DG=
fB5H9C : A ; ; L
G99G<C D'HF5J 9@9F
: C F 588 #C B5@
B : C F 9E I F 98



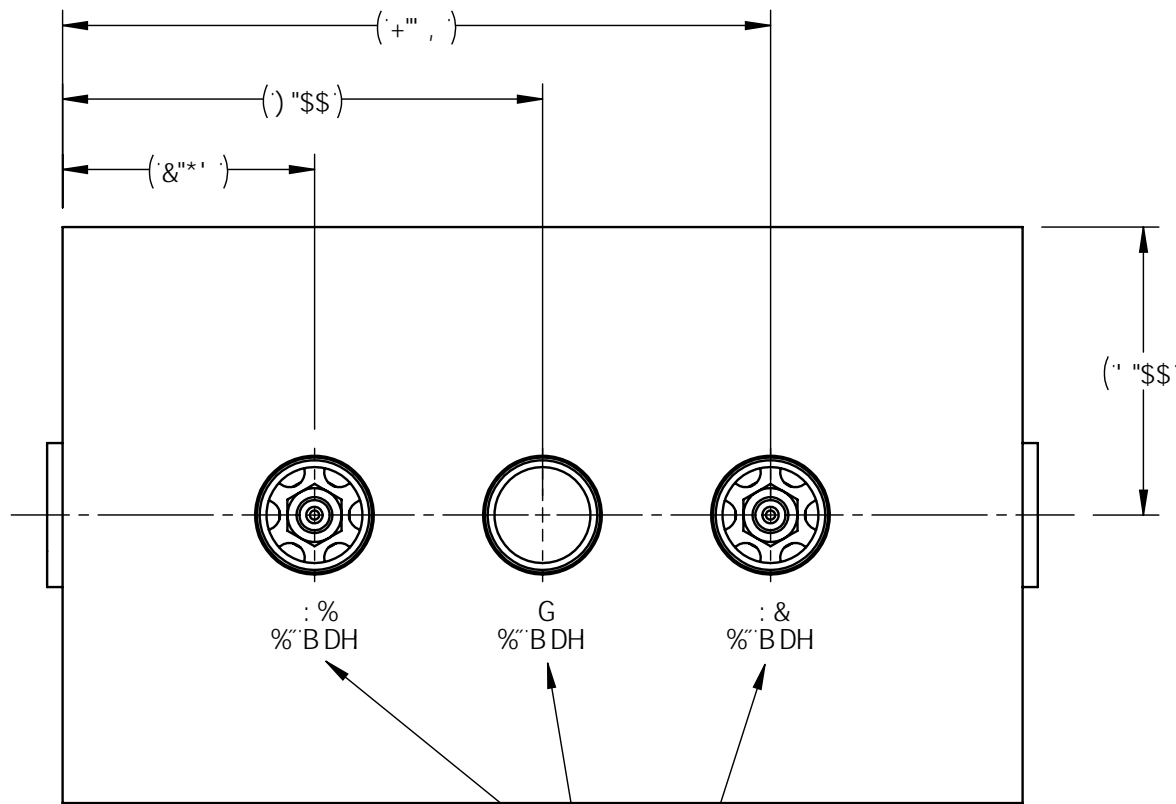
A 5HF 5@ F9: 9F HC B8 7 6C A #9A G	8A 9BGC BG5B8 HC @F5B7 9G5F9 B 7 <9GD9F 5GA 9M() A 1% - (" I B @GGC H: 9FK @9GD97 = 98. %L HC @F5B7 9G " L: ±% " LL: ±\$% " LLL: ±\$\$ 5B; @G: ±") * &L G F: 57 9H L H F9. ** ✓	5DDFC J 5@ 8F5K B 6M 7 <97?98 6M 9B; B 99F 9FB BI A 69F	85H9 4/20/20 85H9 4-20-20 85H9 4/20/20 85H9	 Gilmore a pro/erv company 9B; B99F-B;
7CB8 #C B.		JOP CMJ AQP \$&', %	85H9 4-20-20 85H9 4/20/20 85H9	GDA ŽA J 5Ž; 9B &ž (!K 5M %ž %# (" " BDH D@C H %' BDH 6@7? DC F HG
HF95HA 9BH	* L 7 C F 5 8 - 5 @ : 9 5 H F 9 G G < 5 @ @ 6 9 © K # k - B " % \$ % (L 6 F 9 5 ? G < 5 F D 9 8 ; 9 G " % \$ %) L B H 9 F B 5 @ F 5 8 = G < 5 @ @ 6 9 " % * " A 5 L * L 8 F @ @ D C B H G C D H C B 5 @ K < 9 B G < C K B I B G D 9 7 = 9 8 2 5 @ @ 8 F @ @ D C B H 5 B ; @ 9 G G < 5 @ @ 6 9 6 9 K 9 9 B - \$ " % ! \$ *	\$&', %	85H9	
DFC 798I F9BI A 69F.				GAN 8K : BC 6 &- %& 5 G7 5 @ % (Gc JXK cf_g G<99H % C : '

(

)

6

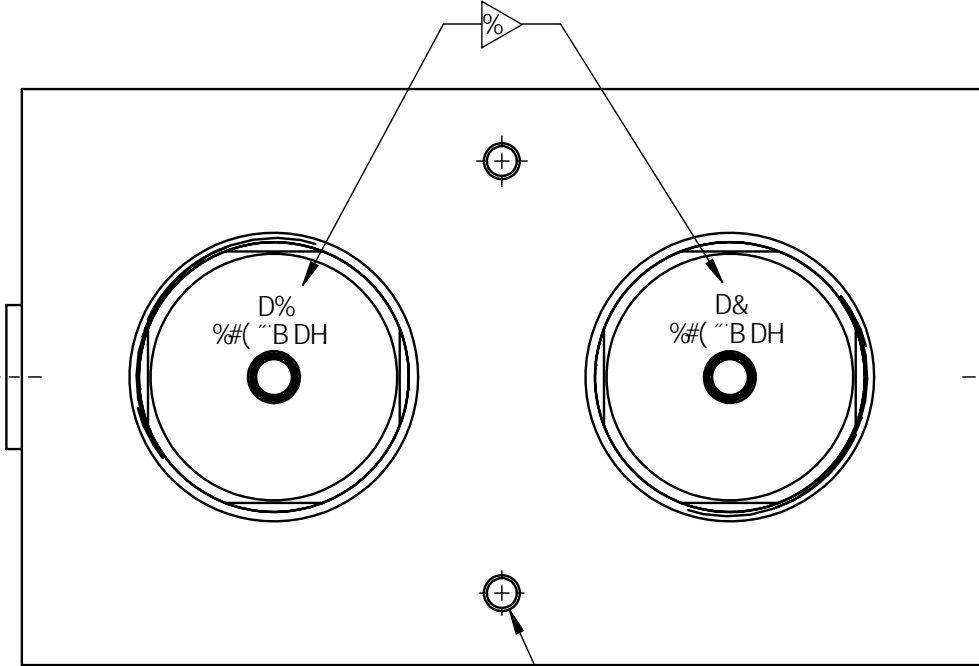
6



J-9K 515

7
G99G<99H'

7



f&L '#, !% ' 1 B 7 ' L '%#("'@ : C F' @ HB; '9MPC

J-9K 616

5

5



9B; B99F B;

GAD

8K ; BC

F9J

6

&-%&'

5

G75@

%&

Gc JXK cf_g

G<99H & C: '

6

6

(

&

%

6-@C: 'A 5H9F-5@

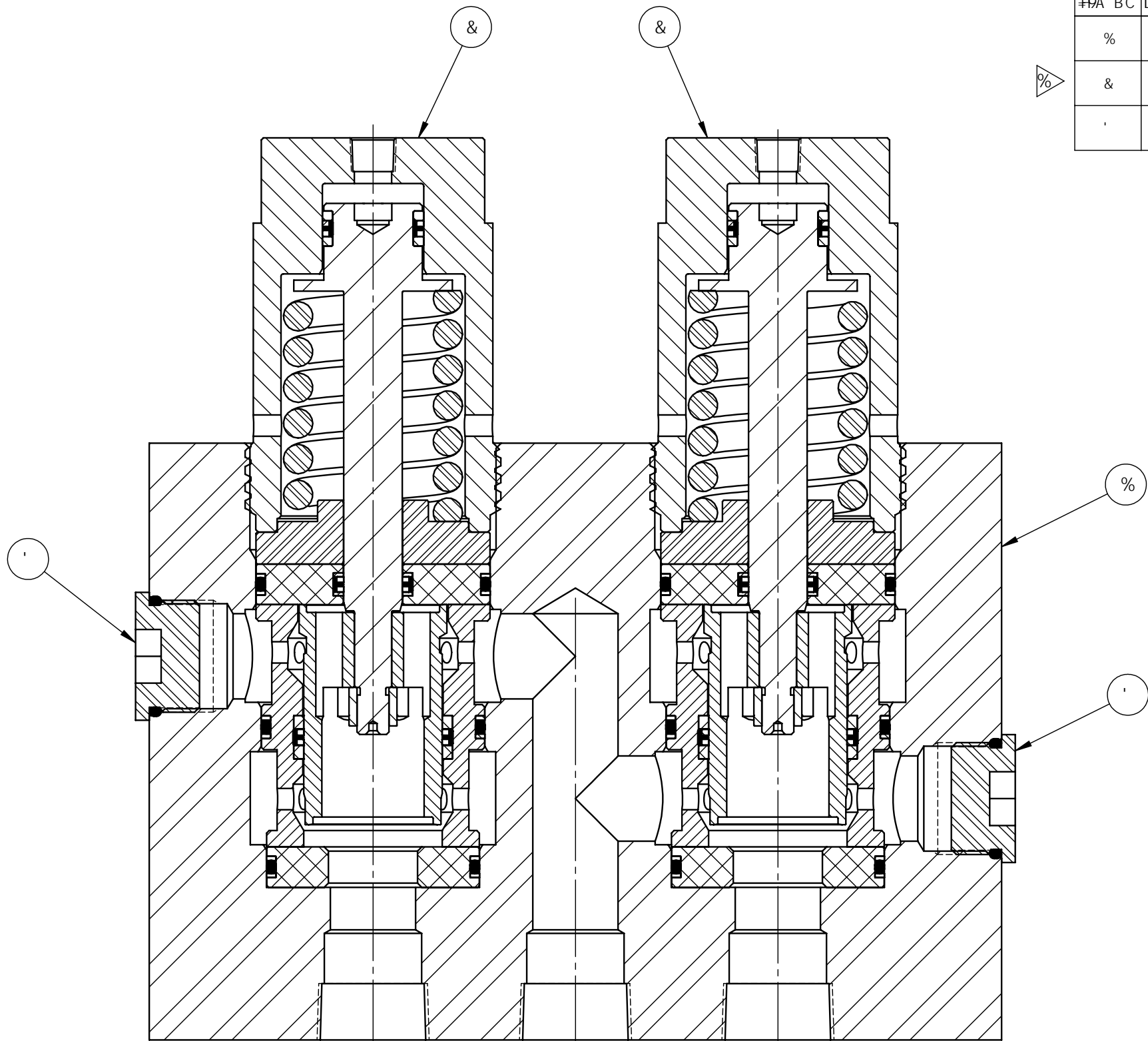
#9A BC	D5FHBI A 69F	8 9G7 F-@HC B	A 5H9F-5@	8YZJi h #E HM	F?	G?
%	%, \$*&	6@C 7?Z(IK 5M8I 5@%GDA	5&+* 'HD" %* 'f1 %' GGL	%	.	.
&	&- %&\$	J 5@ 9Z7 5FH-8; 9ZGDA Z; 9B '&Z%Z B"C "C F B"7 "Z) Z\$\$\$ DG=GI DD@N%#("' BDH D@C HDC FH	F9. 9F 'HC 'B8J 'D5FHG	&	▷	*▷
'	% *\$' ! \$%*	D@ ; Z<9LZ<C @C K Z%'G59	'5&(\$'HD" %'	&	▷	*▷

6

6

5

5



G97HC B'7!7



Gilmore
a pro/enr company

9B; B99F-B;

G49

8K ; 'BC

F9J

6

&- %&'

5

G75@

&.'

Gc'JK cf_g

G<99H ' C: '

(

&

%