

Product Information Bulletin (PIB)

**Gilmore Compact Pressure Regulator**

REV	DATE	DESCRIPTION	ORIGIN (issued by)	APPROVED
001	05/07/21	Document No: 135-050721-001	AP	BR

**COMPANY PROPRIETARY INFORMATION**

© 2014 - 2021 Proserv Gilmore Valve, LLC and/or its affiliates (Gilmore). All rights reserved. Proserv®, Gilmore™, Gilmore & Design (Stallion) and Gilmore, a Proserv Company™ are registered trademarks or trademarks of Gilmore. This Bulletin and the information contained herein is not to be, in whole or in part, reproduced or transmitted in any form by any means without the express permission of Gilmore. **DISCLAIMER:** Whilst Gilmore has carefully reviewed the contents of this Bulletin and believes the information to be correct, Gilmore does not assume any liability in connection with any use of or reliance upon this information and gives no representation or warranty, express or implied, in respect of the information or any products described herein. This Bulletin is intended for use by persons having suitable technical expertise and skill, at their own discretion and risk. Gilmore may change the information contained herein at any time without notice.

---

**For more information:**

Call (800) 469-8786  
[Gilmore@proserv.com](mailto:Gilmore@proserv.com)

Gilmore, A Proserv Company  
 1231 Lumpkin Road  
 Houston, TX 77043

## *Gilmore Compact Pressure Regulator*

Gilmore announces the new Compact Pressure Regulator product line for critical hydraulic control systems, operating up to 15,000 psi. With Tungsten Carbide shear seal trim, the Compact Pressure Regulator is a simple, robust manual spring valve design that provides the utmost reliability. Its small footprint can be readily panel mounted.

### Features and Benefits:

- Qualification exceeds industry requirements
  - 7,500 endurance cycles
- Supply pressure up to 15,000 psi
- Extensive regulated pressure range from 9000 psi – 2000 psi
- Failsafe manual spring configuration
- Construction allows for quick and simple field maintenance
- Tungsten Carbide shear seal trim design
- Optional panel mounting bracket available for installation ease
- CRA Material Construction
  - Tungsten Carbide seal trim
  - Nitronic 50 Body
  - Nitronic 60 Seal Carrier
  - T316 Flanges
  - Inconel X-750 Compression Spring



Figure 1 PN 29149: Compact Pressure Regulator,  
Maximum 15 ksi Inlet, 9 – 2 ksi Regulated Range, 1/4" x 3/8" NPT

## Product Information Bulletin (PIB)

## Gilmore Compact Pressure Regulator

Gilmore has exceeded industry requirements by qualifying the new Compact Pressure Regulator design to 7,500 cycles, with a flow rate of 4 gpm, at 15,000 psi inlet & 3000 psi setpoint with 1% - 4% water glycol test fluid.

The new Gilmore Compact Pressure Regulators are now available for purchase. Examples of assembly configurations are listed below for reference. Gilmore will create other customized Compact Pressure Regulator configurations at customer request.

Please contact Gilmore Customer Service to request a quotation for the Compact Pressure Regulator listed below, or for other custom configurations as required.

**Table 1. New 1” Compact Pressure Regulator and Kit Part Numbers:**

Item	New Valve Description	New Valve PN	New Repair Kit PN	New Seal Kit PN
1	Valve, Compact Regulator, 15 ksi Inlet, 9 – 2 ksi setpoint range, NPT Ports	29149	29149 RK	29149 SK
2	Valve, Compact Regulator, 15 ksi Inlet, 9 – 2 ksi setpoint range, NPT Ports, Panel Bracket	29150	29150 RK	29150 SK
3	Valve, Compact Regulator, 15 ksi Inlet, 9 – 2 ksi setpoint range, MP Ports	29164	29164 RK	29164 SK
4	Valve, Compact Regulator, 15 ksi Inlet, 9 – 2 ksi setpoint range, MP Ports, Panel Bracket	29167	29167 RK	29167 SK

## *Gilmore Compact Pressure Regulator*

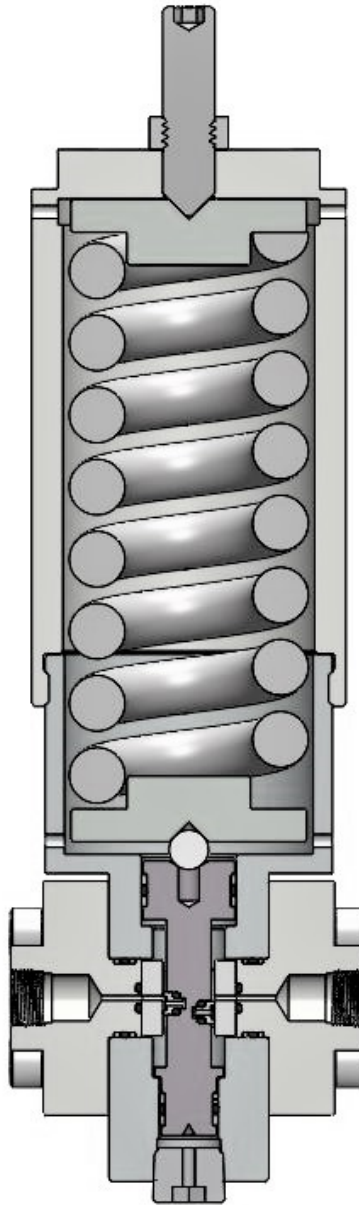


Figure 2. PN 29149: Compact Pressure Regulator, Maximum 15 ksi Inlet, 9 – 2 ksi Regulated Range, 1/4 x 3/8 NPT

Please contact Gilmore Customer Service to request any drawings, manuals and quotations for the new Compact Pressure Regulators at [Gilmore@proserv.com](mailto:Gilmore@proserv.com).

4

3

2

1

NOTES:

- 1 MARKING: MARK COMPONENT WITH ASSEMBLY W.O. AS SHOWN ON COMPONENT DRAWING.
- 2 "X" IN THE BOM DEPICTS PARTS IN REPAIR KIT 29149 RK, AND SEAL KIT 29149 SK.
- 3 MARK AS SHOWN USING LASER ETCH OR COMPUTER CONTROLLED DOT PEEN MARKING MACHINE, .06 HIGH MIN CHARACTERS.
- 4 ASSEMBLY PROCEDURE: 50331  
STANDARD FAT PROCEDURE: 50332  
EXTENDED FAT PROCEDURE: 50333  
SERVICE MANUAL: 51033
- 5 ALL MANUFACTURED ITEMS ARE PASSIVATED
- 6 TORQUE CAPSCREW (ITEM 7) TO 10 FT - LB.  
TORQUE CAPSCREW (ITEM 17) TO 5 IN - LB.  
TORQUE VENTED PLUG (ITEM 22) TO 20 FT - LB.

PRESSURE DATA

VALVE MAWP: 15,000 PSI  
 REGULATED PRESSURE RANGE: 3,000 - 9,000 PSI  
 DEADBAND: 900 +/- 100 PSI AT 15,000 PSI SUPPLY  
 700 +/- 100 PSI AT 10,000 PSI SUPPLY  
 TYPICAL FLOW RATE: 4 GPM  
 ADJUSTMENT SCREW TORQUE MAX 35 FT-LB

REVISIONS

REV	ERN /ECO NUMBER	DRAWN	CHECKED	APPROVED
C	ECO 020676	JZ 5/6/21	RV 5/6/21	APJ 5/6/21

PORTS

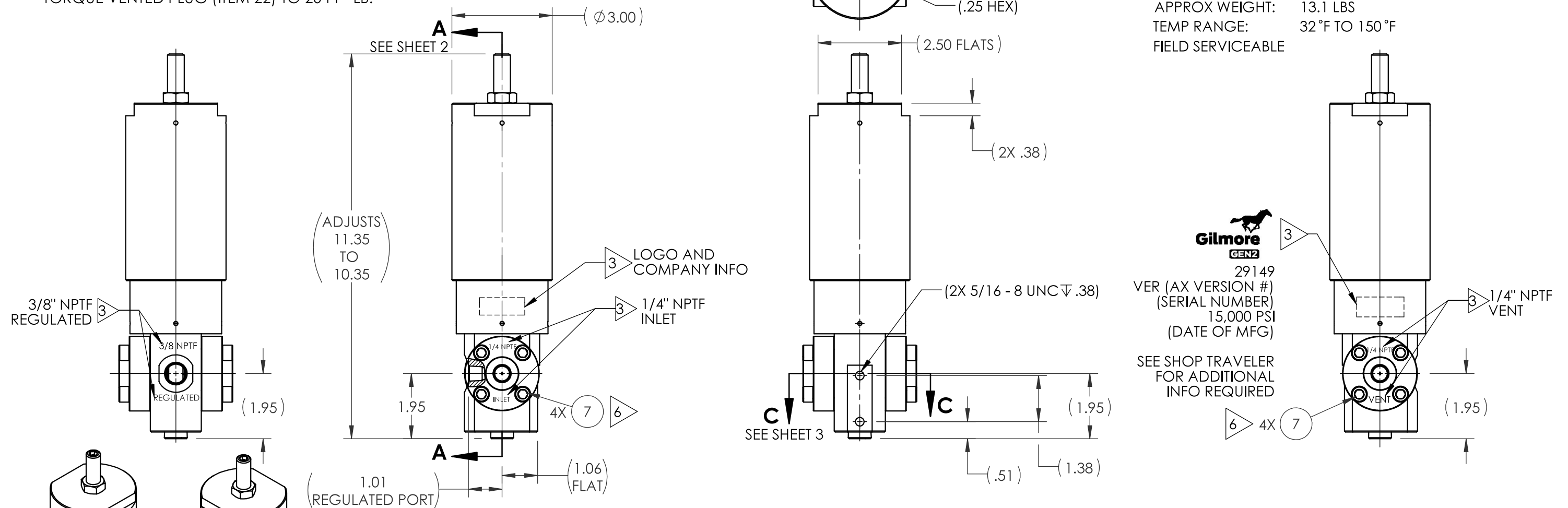
INLET PORT: 1/4" NPTF  
 REGULATED PORT: 3/8" NPTF  
 VENT PORT: 1/4" NPTF

FLOW DATA

Cv: .08 (CALC)  
 FLUIDS: WATER BASED DRILLING CONTROL FLUID  
 MINERAL OIL BASED DRILLING CONTROL FLUID

GENERAL DATA

APPROX WEIGHT: 13.1 LBS  
 TEMP RANGE: 32°F TO 150°F  
 FIELD SERVICEABLE



PATENT PENDING

MATERIAL: REFER TO INDIV BOM ITEMS	CONDITION:	TREATMENT:	PROCEDURE NUMBER:	DIMENSIONS AND TOLERANCES ARE IN INCHES PER ASME Y14.5M-1994. UNLESS OTHERWISE SPECIFIED:		APPROVAL	
				1) TOLERANCES: .X: ±.1 .XX: ±.01 .XXX: ±.005 ANGLES: ±.5° 2) SURFACE TEXTURE: 63/√ 3) CORADIAL FEATURES SHALL BE Ⓞ WITHIN .010 4) BREAK SHARP EDGES .010 5) INTERNAL RADII SHALL BE .016 MAX 6) DRILL POINTS OPTIONAL WHEN SHOWN UNSPECIFIED, ALL DRILL POINT ANGLES SHALL BE BETWEEN 90°-140°		DRAWN BY JZ	DATE 2/11/21
				CHECKED BY CMY	DATE 2/11/21	ENGINEERING	
				ENGINEER AP	DATE 2/11/21	ERIN NUMBER	
				02471	1/14/21	THE INFORMATION CONTAINED IN THIS DRAWING IS THE SOLE PROPERTY OF GILMORE VALVE CO UNLESS OTHERWISE STATED. ANY REPRODUCTION IN PART OR WHOLE WITHOUT THE WRITTEN PERMISSION OF GILMORE VALVE CO IS PROHIBITED.	

**Gilmore ENGINEERING**  
 a pro/erv company

**VALVE, PRESSURE REGULATOR, GEN 2,  
 COMPACT, 3/15 KSI, 3/8" NPTF**

SIZE <b>B</b>	DWG NO	REV <b>C</b>
SCALE 1:2	SolidWorks	SHEET 1 OF 4

4

3

2

1

4

3

2

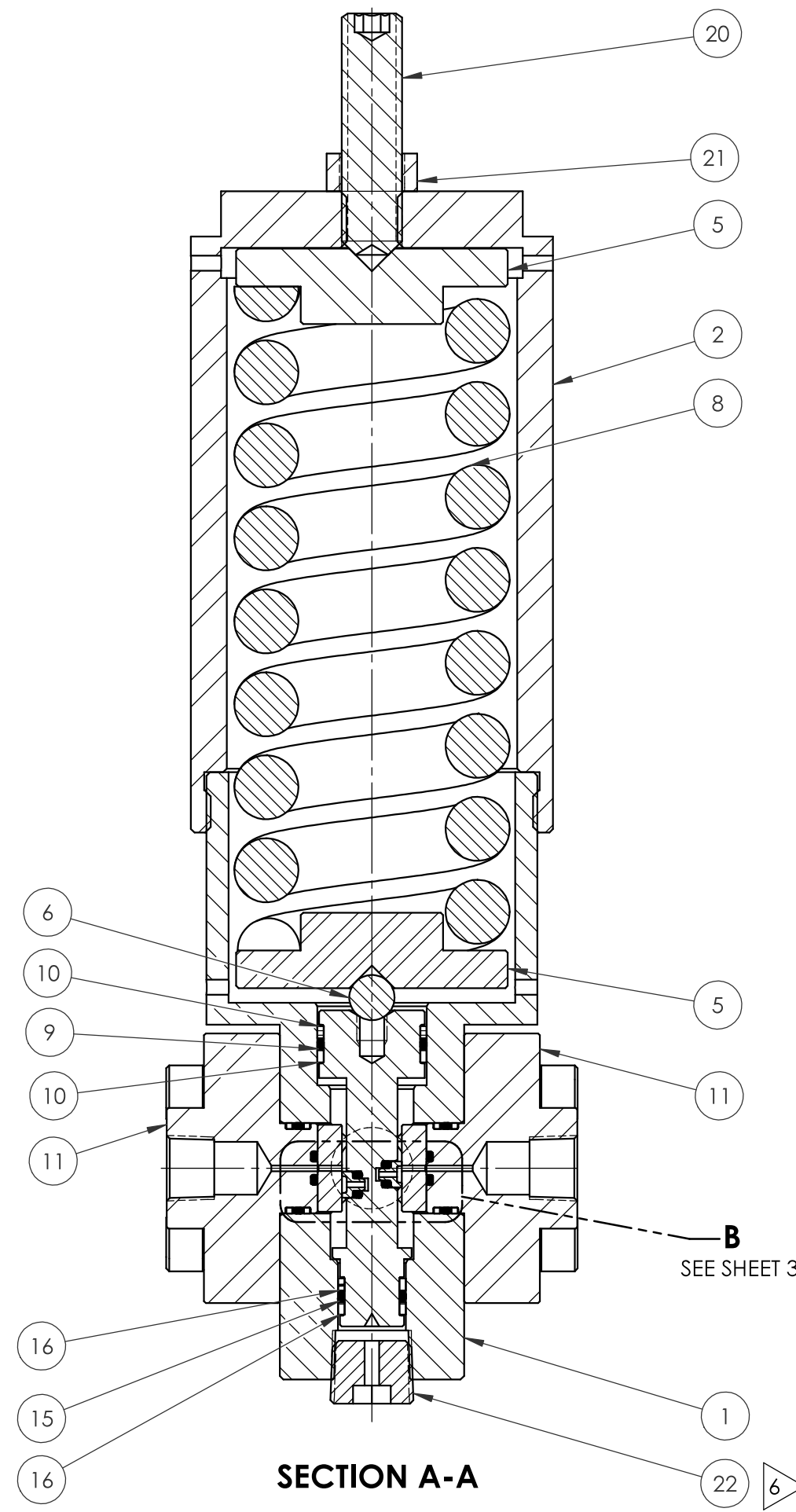
1

B

B

A

A



SECTION A-A

SEE SHEET 3

**BILL OF MATERIALS**

ITEM NO	PART NUMBER	DESCRIPTION	MATERIAL	QTY	RK	SK
1	216344	BODY, 3/8" NPTF, COMPACT REGULATOR	A276 TP S20910 (NITRONIC 50)	1		
2	216345	HOUSING, SPRING, VALVE, COMPACT REGULATOR, GEN 2	A276 UNS S21800 (NITRONIC 60)	1		
3	205409	PLATE, SEAL, COMPACT REGULATOR	TUNGSTEN CARBIDE /NICKEL	2	X	
4	205410	CONTAINER, SEAL, COMPACT REGULATOR	A276 TP S21800 (NITRONIC 60)	1	X	
5	216346	SPRING DISK	A276 TP 316 (316 SS)	2		
6	18800-007	BALL	A276 TP 316 (316 SS)	1		
7	18224-047	SHCS, 5/16-18 UNC X 1" LG	A453 GR660	8		
8	214606	SPRING, COMPRESSION	INCONEL X-750	1		
9	18100-007K1	O-RING	HNBR	1	X	X
10	212267	BACKUP RING	PEEK	2	X	X
11	205412	FLANGE, 1/4" NPTF, COMPACT REGULATOR	A276 TP 316 (316 SS)	2		
12	205414	HYDRO SEAL, VENT, COMPACT REGULATOR	TUNGSTEN CARBIDE /NICKEL	2	X	
13	18100-014K1	O-RING	HNBR	2	X	X
14	18100-613K1	O-RING	HNBR	2	X	X
15	18100-013K1	O-RING	HNBR	1	X	X
16	205415	BACKUP RING	PEEK	2	X	X
17	18221-010G	SHCS #4-40 UNC X 3/8" LG NYLOK	F593 Gr 2 COND A (316 SS)/NYLON	4	X	X
18	18100-001K1	O-RING	HNBR	2	X	X
19	205416	BACKUP RING	PEEK	4	X	X
20	216348	ADJUTMENT SCREW, 1/2"-13 UNC	TP 316	1		
21	216349	JAM-NUT, HEX, 1/2"-13 UNC	TP 316	1		
22	216350	PIPE PLUG, 3/8" NPT, VENTED	TP 316	1		



SIZE	DWG NO	REV
<b>B</b>	<b>29149</b>	<b>C</b>
SCALE	1:2	SHEET 2 OF 4
SolidWorks		

4

3

2

1

4

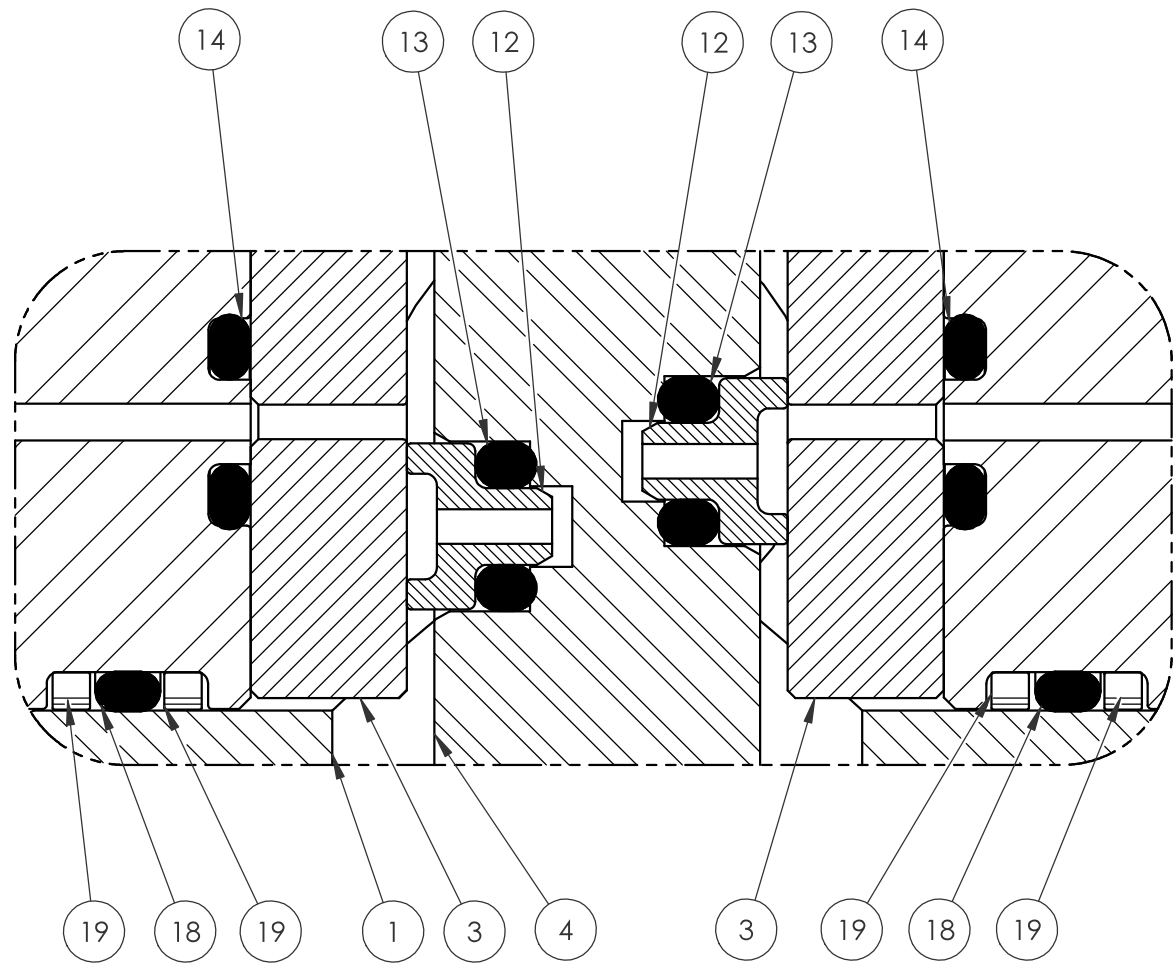
3

2

1

B

B



**DETAIL B**

(REFER TO SHEET 4 FOR POSITIONS)

19

18

19

1

3

4

3

19

18

19

14

13

12

12

13

14

A

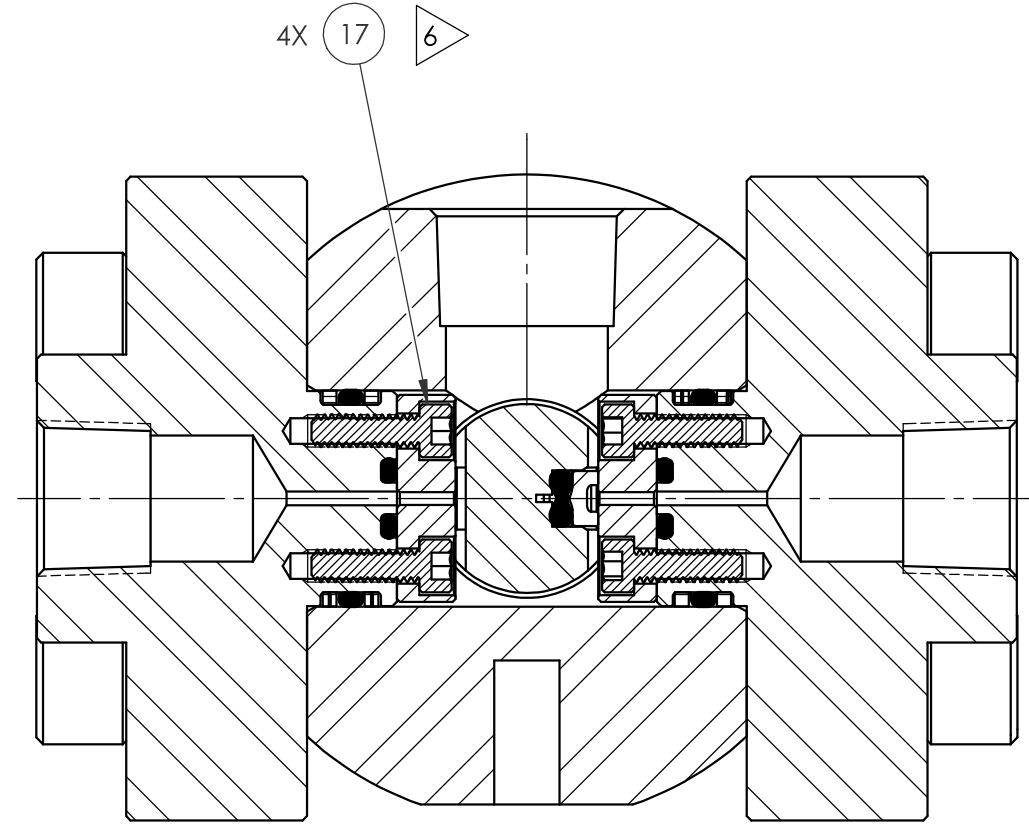
A

4

3

2

1



**SECTION C-C**

4X

17

6



**ENGINEERING**

SIZE

DWG NO

REV

**B**

**29149**

**C**

SCALE

1:2

**SolidWorks**

SHEET 3 OF 4

4

3

2

1

4

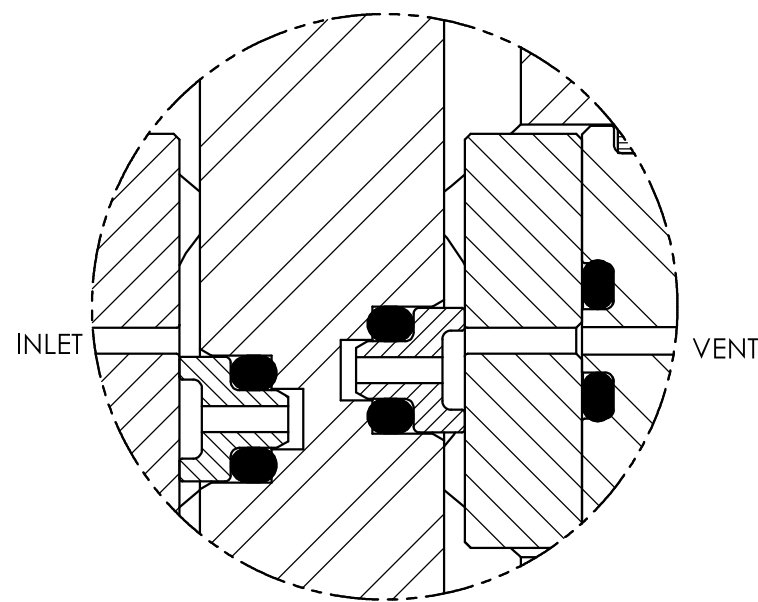
3

2

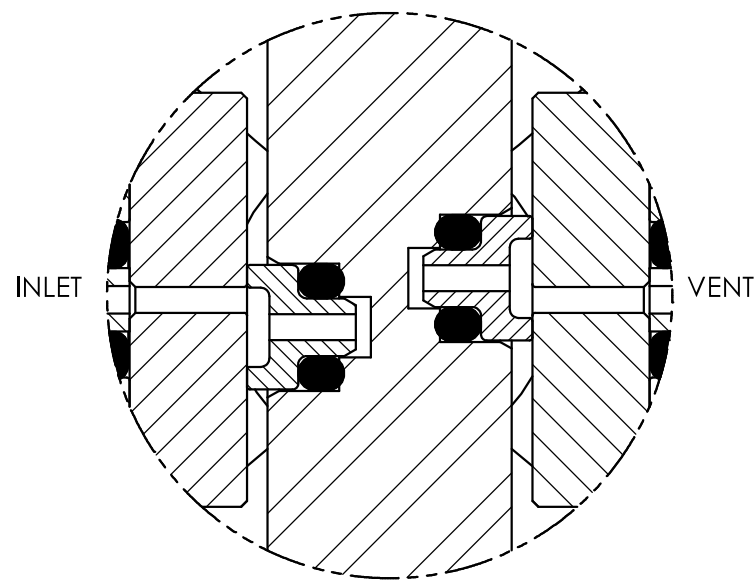
1

B

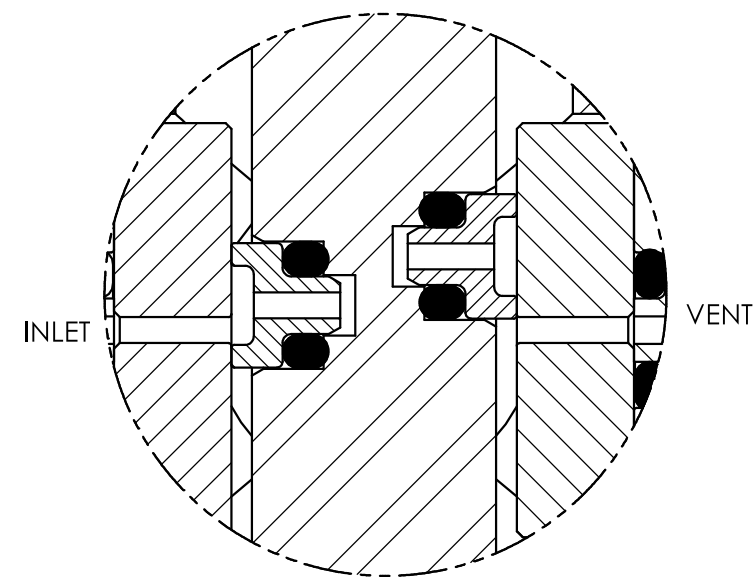
B



**DETAIL B  
OPEN**



**DETAIL B  
CLOSED**



**DETAIL B  
VENT**

A

A

4

3

2

1



**ENGINEERING**

SIZE	DWG NO	REV
<b>B</b>	<b>29149</b>	<b>C</b>
SCALE	1:2	SHEET 4 OF 4
SolidWorks		



NOTES:

- 1 MARKING: MARK COMPONENT WITH ASSEMBLY W.O. AS SHOWN ON COMPONENT DRAWING.
- 2. "X" IN THE BOM DEPICTS PARTS IN REPAIR KIT 29150 RK, AND SEAL KIT 29150 SK.
- 3 MARK AS SHOWN USING LASER ETCH OR COMPUTER CONTROLLED DOT PEEN MARKING MACHINE, .06 HIGH MIN CHARACTERS.
- 4 ASSEMBLY PROCEDURE: 50331  
STANDARD FAT PROCEDURE: 50332  
EXTENDED FAT PROCEDURE: 50333  
SERVICE MANUAL: 51033
- 5 ALL MANUFACTURED ITEMS ARE PASSIVATED
- 6 TORQUE CAPSCREW (ITEM 7) TO 10 FT - LB.  
TORQUE CAPSCREW (ITEM 17) TO 5 IN - LB.  
TORQUE VENTED PLUG (ITEM 22) TO 20 FT-LB.

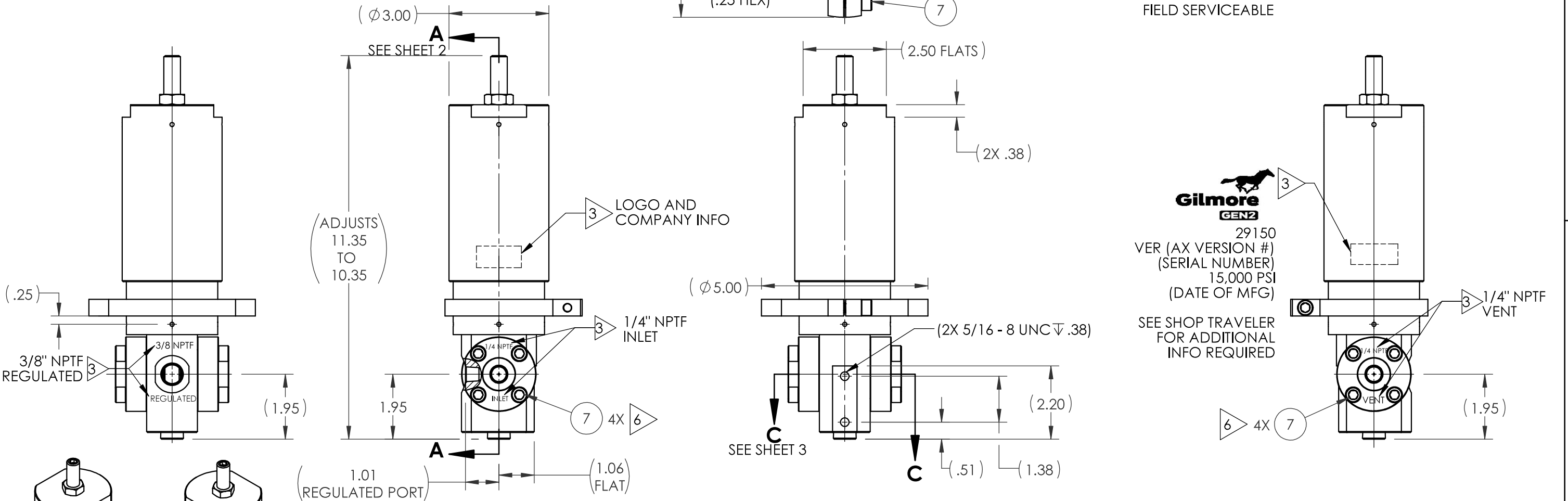
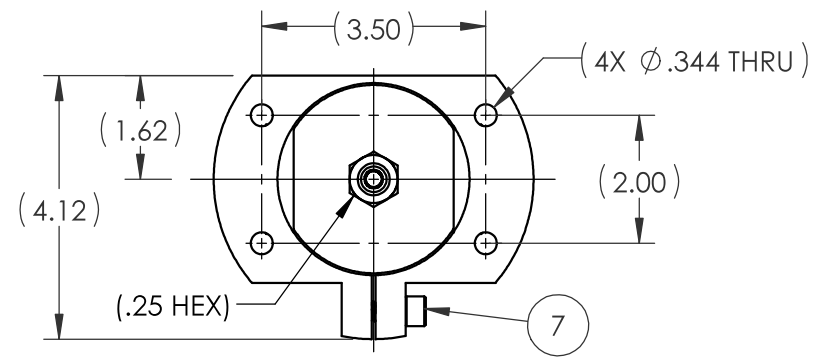
**PRESSURE DATA**  
 VALVE MAWP: 15,000 PSI  
 REGULATED PRESSURE RANGE: 3,000 - 9,000 PSI  
 DEADBAND: 900 +/- 100 PSI AT 15,000 PSI SUPPLY  
 700 +/- 100 PSI AT 10,000 PSI SUPPLY  
 TYPICAL FLOW RATE: 4 GPM  
 ADJUSTMENT SCREW TORQUE MAX 35 FT-LB.

REVISIONS				
REV	ERN /ECO NUMBER	DRAWN	CHECKED	APPROVED
B	ECO 020676	JZ 5/6/21	RV 5/6/21	AJP 5/6/21

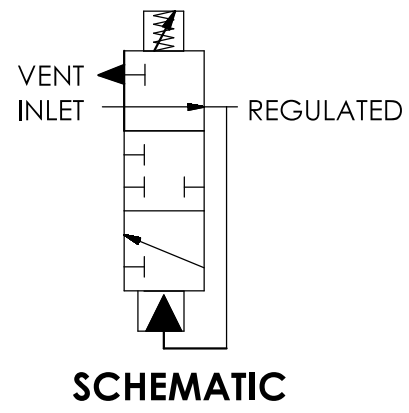
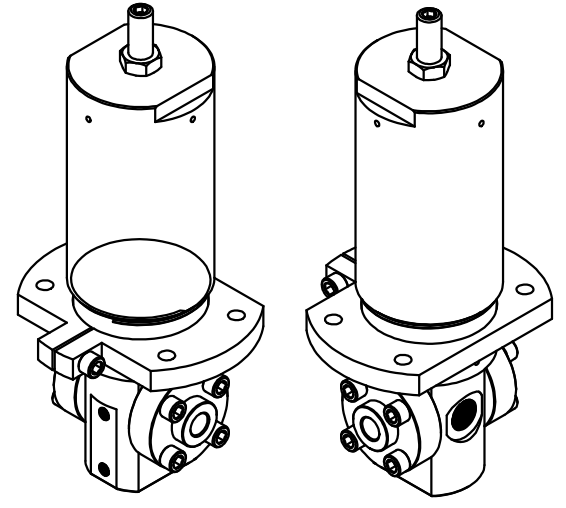
**PORTS**  
 INLET PORT: 1/4" NPTF  
 REGULATED PORT: 3/8" NPTF  
 VENT PORT: 1/4" NPTF

**FLOW DATA**  
 Cv: .08 (CALC)  
 FLUIDS: WATER BASED DRILLING CONTROL FLUID  
 MINERAL OIL BASED DRILLING CONTROL FLUID

**GENERAL DATA**  
 APPROX WEIGHT: 13.3 LBS  
 TEMP RANGE: 32°F TO 150°F  
 FIELD SERVICEABLE



**Gilmore GEN2**  
 29150  
 VER (AX VERSION #)  
 (SERIAL NUMBER)  
 15,000 PSI  
 (DATE OF MFG)  
 SEE SHOP TRAVELER FOR ADDITIONAL INFO REQUIRED



MATERIAL: REFER TO INDIV BOM ITEMS	DIMENSIONS AND TOLERANCES ARE IN INCHES PER ASME Y14.5M-1994. UNLESS OTHERWISE SPECIFIED: 1) TOLERANCES: .X: ±.1 .XX: ±.01 .XXX: ±.005 ANGLES: ±.5° 2) SURFACE TEXTURE: 63/√ 3) CORADIAL FEATURES SHALL BE WITHIN .010 4) BREAK SHARP EDGES .010 5) INTERNAL RADII SHALL BE .016 MAX 6) DRILL POINTS OPTIONAL WHEN SHOWN UNSPECIFIED. ALL DRILL POINT ANGLES SHALL BE BETWEEN 90°-140°	APPROVAL	
CONDITION:		DRAWN BY JZ	DATE 2/11/21
TREATMENT:		CHECKED BY CMY	DATE 2/11/21
PROCEDURE NUMBER:		ENGINEER AP	DATE 2/11/21
		ERN NUMBER 02471	DATE 1/14/21
		THE INFORMATION CONTAINED IN THIS DRAWING IS THE SOLE PROPERTY OF GILMORE VALVE CO UNLESS OTHERWISE STATED. ANY REPRODUCTION IN PART OR WHOLE WITHOUT THE WRITTEN PERMISSION OF GILMORE VALVE CO IS PROHIBITED.	

PATENT PENDING

**Gilmore ENGINEERING**  
 a pro/erv company

**VALVE, PRESSURE REGULATOR, GEN 2, COMPACT, BRACKET, 3/15 KSI, 3/8" NPTF**

SIZE <b>B</b>	DWG NO	REV <b>B</b>
SCALE 1:2	SolidWorks	SHEET 1 OF 4

4

3

2

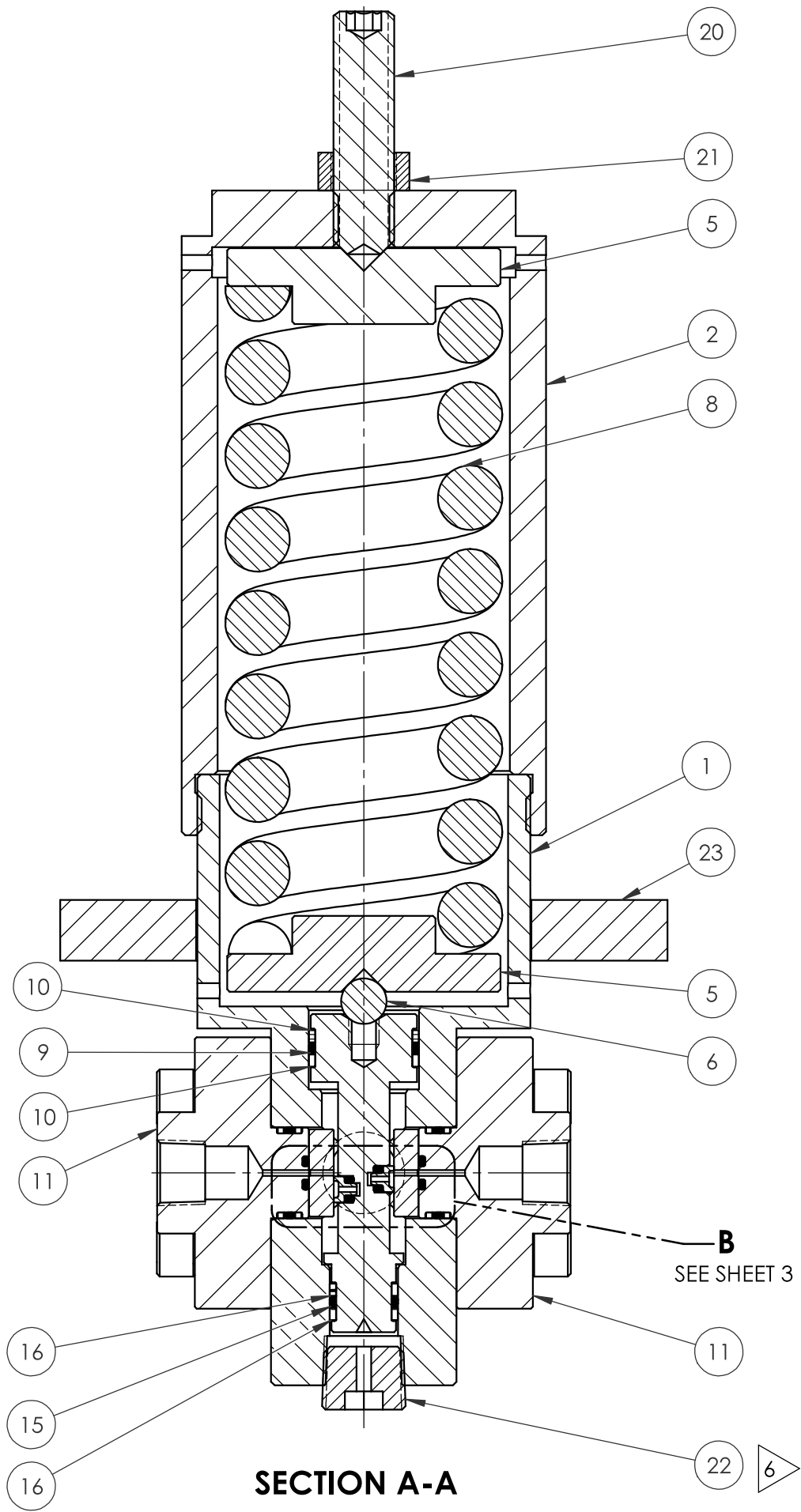
1

B

B

A

A



SECTION A-A

SEE SHEET 3

**BILL OF MATERIALS**

ITEM NO	PART NUMBER	DESCRIPTION	MATERIAL	QTY	RK	SK
1	216344	BODY, 3/8" NPTF, COMPACT REGULATOR	A276 TP S20910 (NITRONIC 50)	1		
2	216345	HOUSING, SPRING, VALVE, COMPACT REGULATOR, GEN 2	A276 UNS S21800 (NITRONIC 60)	1		
3	205409	PLATE, SEAL, COMPACT REGULATOR	TUNGSTEN CARBIDE /NICKEL	2	X	
4	205410	CONTAINER, SEAL, COMPACT REGULATOR	A276 TP S21800 (NITRONIC 60)	1	X	
5	216346	SPRING DISK	A276 TP 316 (316 SS)	2		
6	18800-007	BALL	A276 TP 316 (316 SS)	1		
7	18224-047	SHCS, 5/16-18 UNC X 1" LG	A453 GR660	9		
8	214606	SPRING, COMPRESSION	INCONEL X-750	1		
9	18100-007K1	O-RING	HNBR	1	X	X
10	212267	BACKUP RING	PEEK	2	X	X
11	205412	FLANGE, 1/4" NPTF, COMPACT REGULATOR	A276 TP 316 (316 SS)	2		
12	205414	HYDRO SEAL, VENT, COMPACT REGULATOR	TUNGSTEN CARBIDE /NICKEL	2	X	
13	18100-014K1	O-RING	HNBR	2	X	X
14	18100-613K1	O-RING	HNBR	2	X	X
15	18100-013K1	O-RING	HNBR	1	X	X
16	205415	BACKUP RING	PEEK	2	X	X
17	18221-010G	SHCS #4-40 UNC X 3/8" LG NYLOK	F593 Gr 2 COND A (316 SS)/NYLON	4	X	X
18	18100-001K1	O-RING	HNBR	2	X	X
19	205416	BACKUP RING	PEEK	4	X	X
20	216348	ADJUSTMENT SCREW, 1/2"-13 UNC	TP 316	1		
21	216349	JAM - NUT, HEX, 1/2"-13 UNC	TP 316	1		
22	216350	PIPE PLUG, 3/8" NPT, VENTED	TP 316	1		
23	216547	PANEL BRACKET	A240	1		



SIZE	DWG NO	REV
<b>B</b>	<b>29150</b>	<b>B</b>
SCALE	1:2	SHEET 2 OF 4
SolidWorks		

4

3

2

1

4

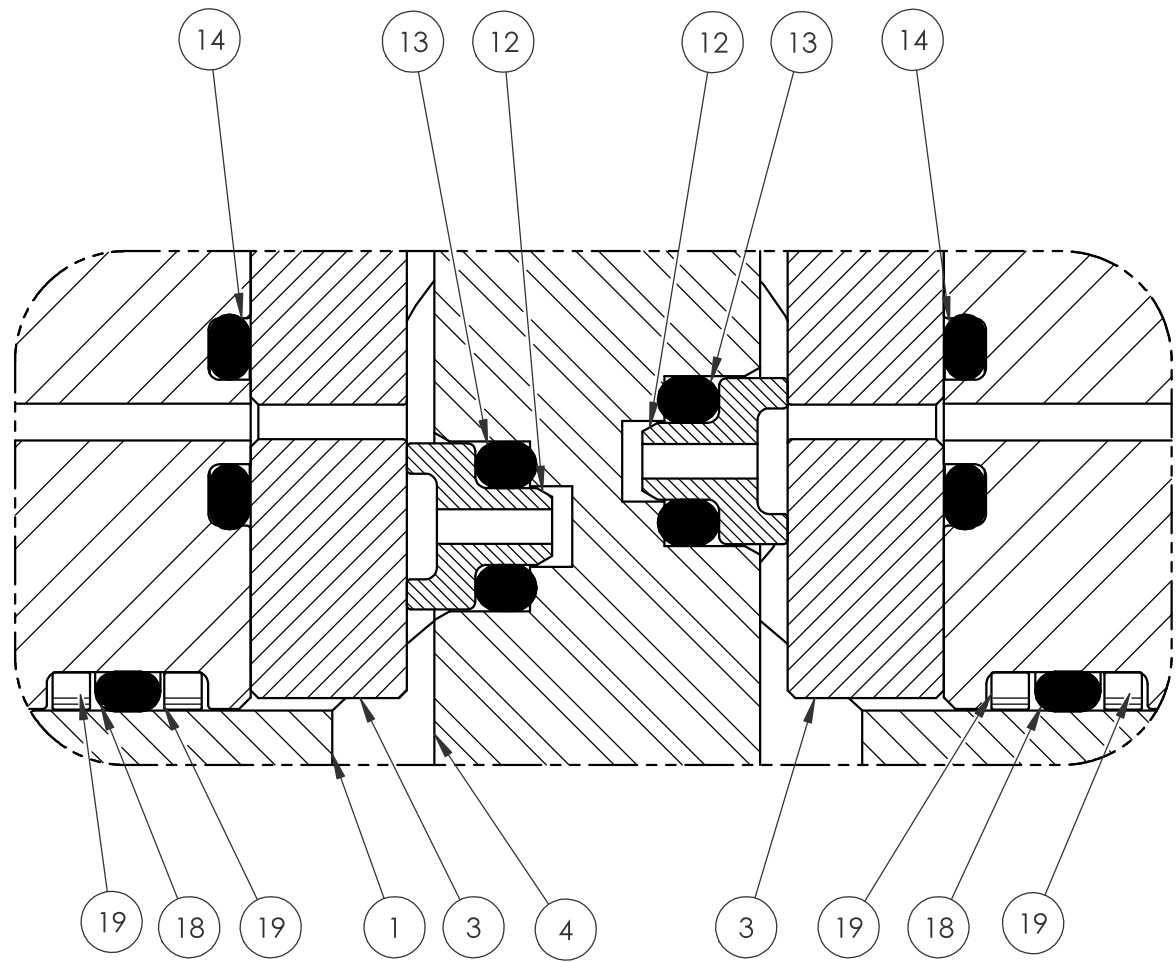
3

2

1

B

B

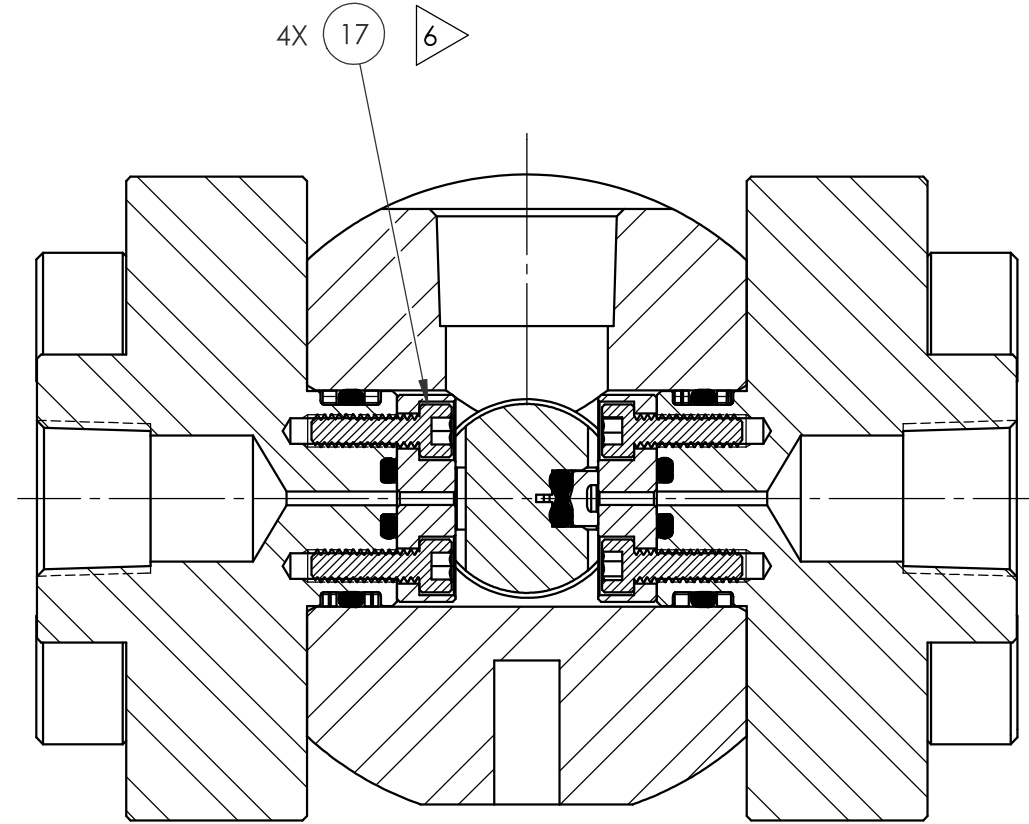


**DETAIL B**

(REFER TO SHEET 4 FOR POSITIONS)

A

A



**SECTION C-C**

4

3

2

1



**ENGINEERING**

SIZE <b>B</b>	DWG NO <b>29150</b>	REV <b>B</b>
SCALE 1:2	SolidWorks	SHEET 3 OF 4

4

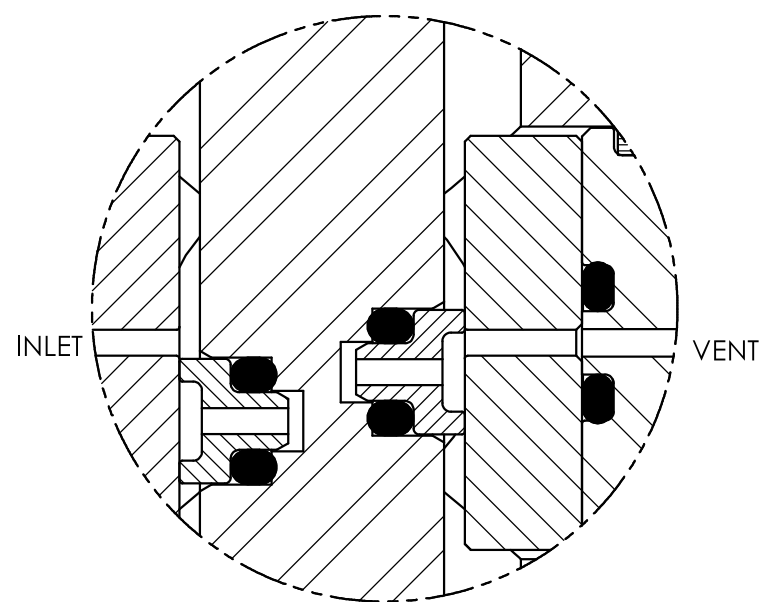
3

2

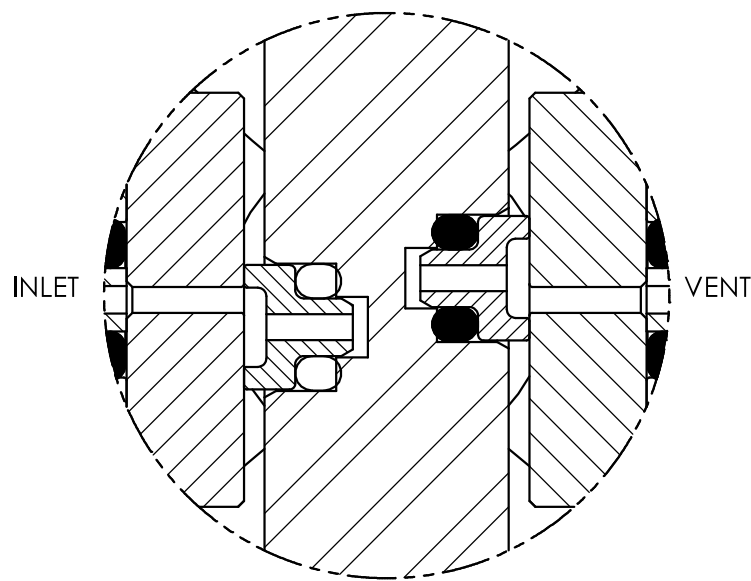
1

B

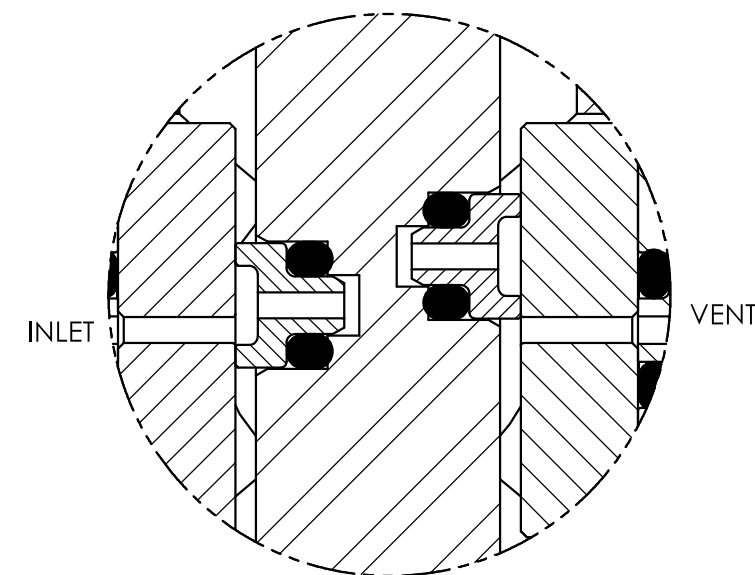
B



**DETAIL B  
OPEN**



**DETAIL B  
CLOSED**



**DETAIL B  
VENT**

A

A

4

3

2

1



**ENGINEERING**

SIZE	DWG NO	REV
<b>B</b>	<b>29150</b>	<b>B</b>
SCALE	1:2	SHEET 4 OF 4
SolidWorks		

4

3

2

1

NOTES:

- 1 MARKING: MARK COMPONENT WITH ASSEMBLY W.O. AS SHOWN ON COMPONENT DRAWING.
- 2 "X" IN THE BOM DEPICTS PARTS IN REPAIR KIT 29164 RK, AND SEAL KIT 29164 SK.
- 3 MARK AS SHOWN USING LASER ETCH OR COMPUTER CONTROLLED DOT PEEN MARKING MACHINE, .06 HIGH MIN CHARACTERS.
- 4 ASSEMBLY PROCEDURE: 50331  
STANDARD FAT PROCEDURE: 50332  
EXTENDED FAT PROCEDURE: 50333  
SERVICE MANUAL: 51033
- 5 ALL MANUFACTURED ITEMS ARE PASSIVATED
- 6 TORQUE CAPSCREW (ITEM 7) TO 10 FT - LB.  
TORQUE CAPSCREW (ITEM 17) TO 5 IN - LB.  
TORQUE VENTED PLUG (ITEM 22) TO 20 FT - LB.

PRESSURE DATA

VALVE MAWP: 15,000 PSI  
 REGULATED PRESSURE RANGE: 3,000 - 9,000 PSI  
 DEADBAND: 900 +/- 100 PSI AT 15,000 PSI SUPPLY  
 700 +/- 100 PSI AT 10,000 PSI SUPPLY  
 TYPICAL FLOW RATE: 4 GPM  
 ADJUSTMENT SCREW TORQUE MAX 35 FT-LB

REVISIONS

REV	ERN /ECO NUMBER	DRAWN	CHECKED	APPROVED
B	ECO 020676	JZ 5/6/21	RV 5/6/21	AP 5/6/21

PORTS

INLET PORT: 1/4" MP  
 REGULATED PORT: 1/4" MP  
 VENT PORT: 1/4" MP

FLOW DATA

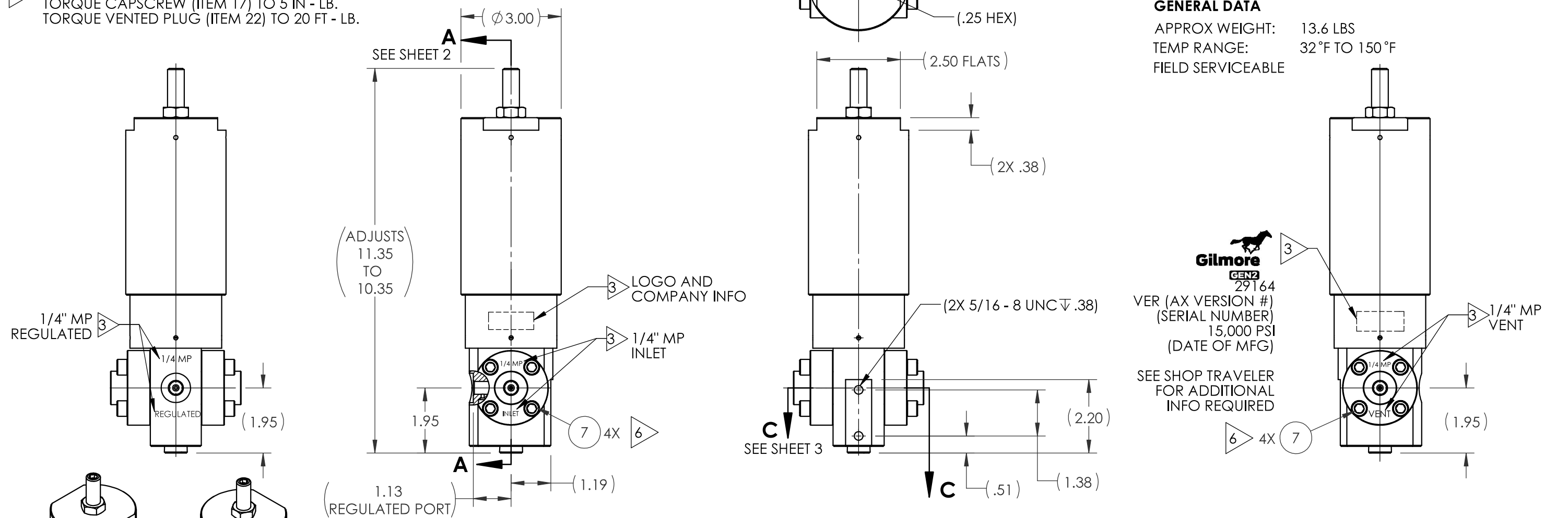
Cv: .08 (CALC)  
 FLUIDS: WATER BASED DRILLING CONTROL FLUID  
 MINERAL OIL BASED DRILLING CONTROL FLUID

GENERAL DATA

APPROX WEIGHT: 13.6 LBS  
 TEMP RANGE: 32°F TO 150°F  
 FIELD SERVICEABLE

B

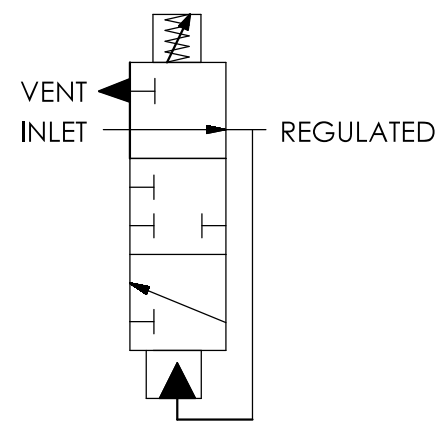
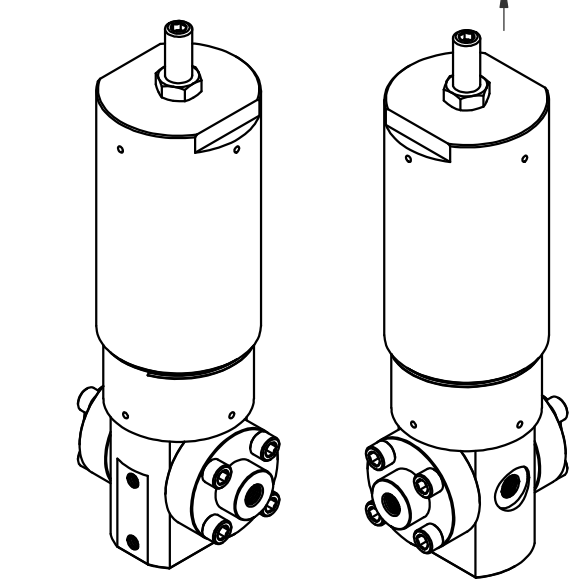
B



A

A

PATENT PENDING



SCHEMATIC

MATERIAL: REFER TO INDIV BOM ITEMS	DIMENSIONS AND TOLERANCES ARE IN INCHES PER ASME Y14.5M-1994. UNLESS OTHERWISE SPECIFIED: 1) TOLERANCES: .X: ±.1 .XX: ±.01 .XXX: ±.005 ANGLES: ±.5° 2) SURFACE TEXTURE: 63/ 3) CORADIAL FEATURES SHALL BE © WITHIN .010 4) BREAK SHARP EDGES .010 5) INTERNAL RADII SHALL BE .016 MAX 6) DRILL POINTS OPTIONAL WHEN SHOWN UNSPECIFIED, ALL DRILL POINT ANGLES SHALL BE BETWEEN 90°-140°	APPROVAL	
CONDITION:		DRAWN BY JZ	DATE 2/26/21
TREATMENT:		CHECKED BY CMY	DATE 2/26/21
PROCEDURE NUMBER: 4		ENGINEER AP	DATE 2/26/21
		ERN NUMBER 02481	DATE 2/22/21
THE INFORMATION CONTAINED IN THIS DRAWING IS THE SOLE PROPERTY OF GILMORE VALVE CO UNLESS OTHERWISE STATED. ANY REPRODUCTION IN PART OR WHOLE WITHOUT THE WRITTEN PERMISSION OF GILMORE VALVE CO IS PROHIBITED.			

**Gilmore ENGINEERING**  
a pro/erv company

**VALVE, PRESSURE REGULATOR, GEN 2,  
COMPACT, 3/15 KSI, 1/4" MP**

SIZE <b>B</b>	DWG NO	REV <b>B</b>
SCALE 1:2	SolidWorks	SHEET 1 OF 4

4

3

2

1

4

3

2

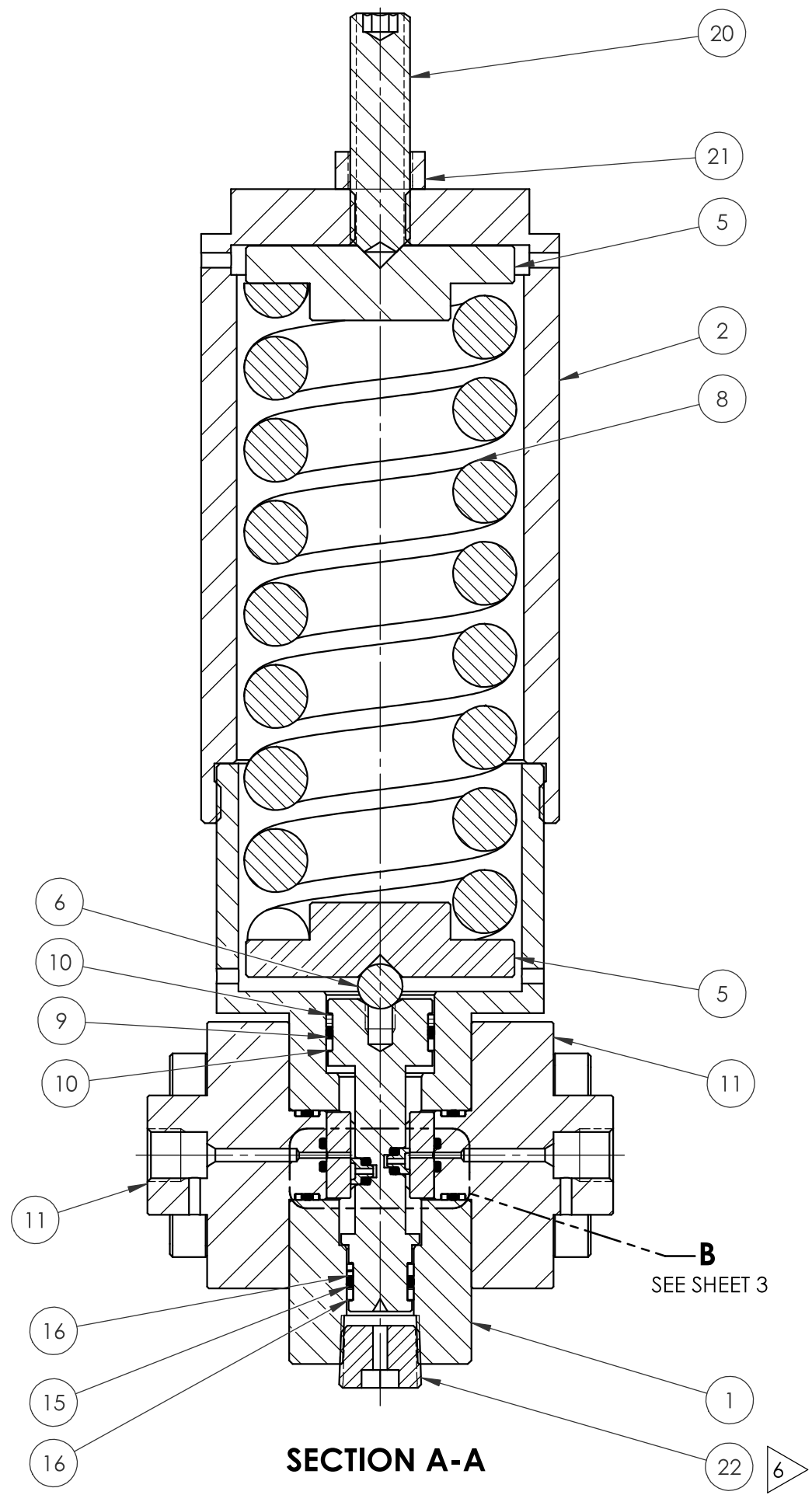
1

B

B

A

A



SECTION A-A

SEE SHEET 3

BILL OF MATERIALS

ITEM NO	PART NUMBER	DESCRIPTION	MATERIAL	QTY	RK	SK
1	217526	BODY, 1/4" MP, COMPACT REGULATOR	A276 TP S20910 (NITRONIC 50)	1		
2	216345	HOUSING, SPRING, VALVE, COMPACT REGULATOR, GEN 2	A276 UNS S21800 (NITRONIC 60)	1		
3	205409	PLATE, SEAL, COMPACT REGULATOR	TUNGSTEN CARBIDE /NICKEL	2	X	
4	205410	CONTAINER, SEAL, COMPACT REGULATOR	A276 TP S21800 (NITRONIC 60)	1	X	
5	216346	SPRING DISK	A276 TP 316 (316 SS)	2		
6	18800-007	BALL	A276 TP 316 (316 SS)	1		
7	18224-047	SHCS, 5/16-18 UNC X 1" LG	A453 GR660	8		
8	214606	SPRING, COMPRESSION	INCONEL X-750	1		
9	18100-007K1	O-RING	HNBR	1	X	X
10	212267	BACKUP RING	PEEK	2	X	X
11	217525	FLANGE, 1/4" MP, COMPACT REGULATOR	A276 TP 316 (316 SS)	2		
12	205414	HYDRO SEAL, VENT, COMPACT REGULATOR	TUNGSTEN CARBIDE /NICKEL	2	X	
13	18100-014K1	O-RING	HNBR	2	X	X
14	18100-613K1	O-RING	HNBR	2	X	X
15	18100-013K1	O-RING	HNBR	1	X	X
16	205415	BACKUP RING	PEEK	2	X	X
17	18221-010G	SHCS #4-40 UNC X 3/8" LG NYLON	F593 Gr 2 COND A (316 SS)/NYLON	4	X	X
18	18100-001K1	O-RING	HNBR	2	X	X
19	205416	BACKUP RING	PEEK	4	X	X
20	216348	ADJUTMENT SCREW, 1/2"-13 UNC	TP 316	1		
21	216349	JAM-NUT, HEX, 1/2"-13 UNC	TP 316	1		
22	216350	PIPE PLUG, 3/8" NPT, VENTED	TP 316	1		



SIZE	DWG NO	REV
<b>B</b>	<b>29164</b>	<b>B</b>
SCALE	1:2	SHEET 2 OF 4
SolidWorks		

4

3

2

1

4

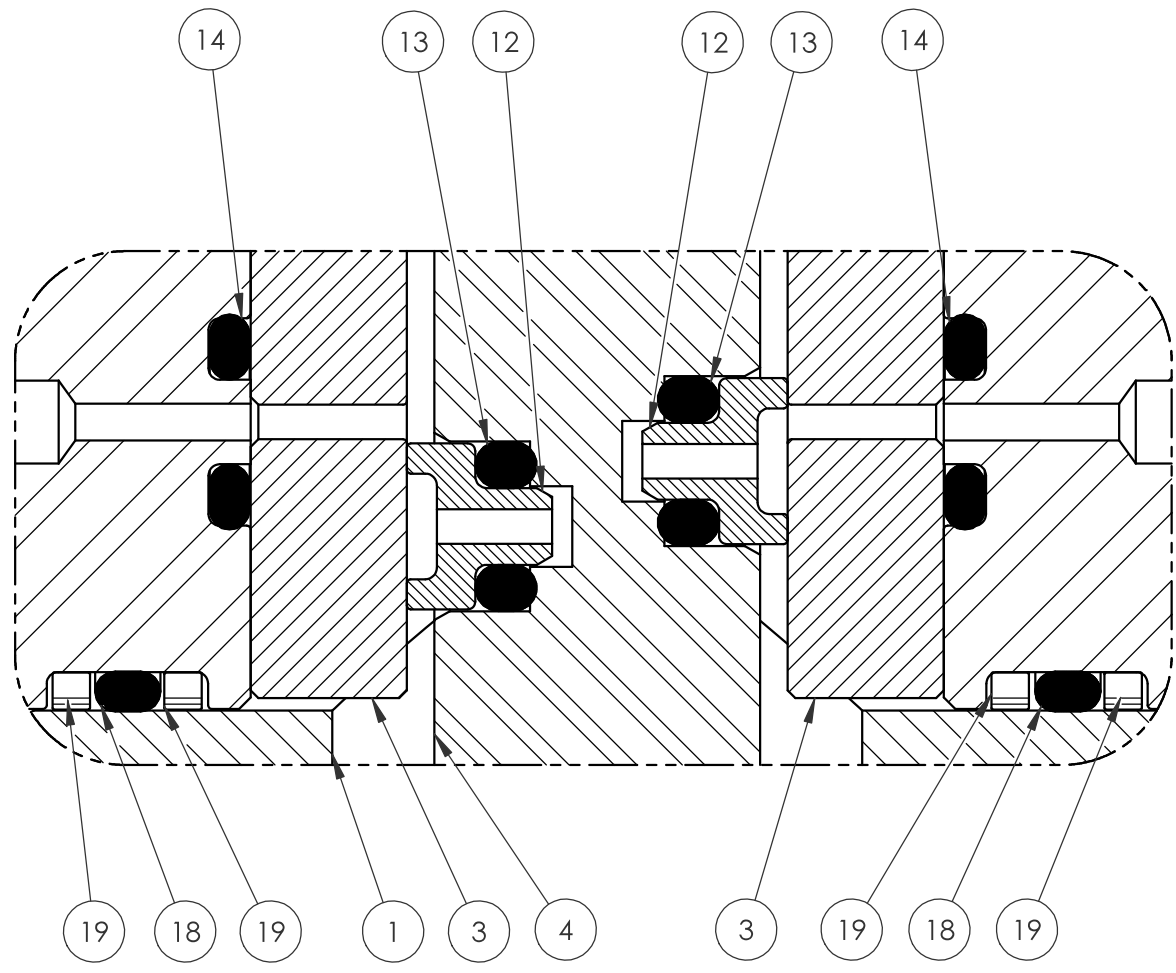
3

2

1

B

B



**DETAIL B**

(REFER TO SHEET 4 FOR POSITIONS)

19

18

19

1

3

4

3

19

18

19

14

13

12

12

13

14

A

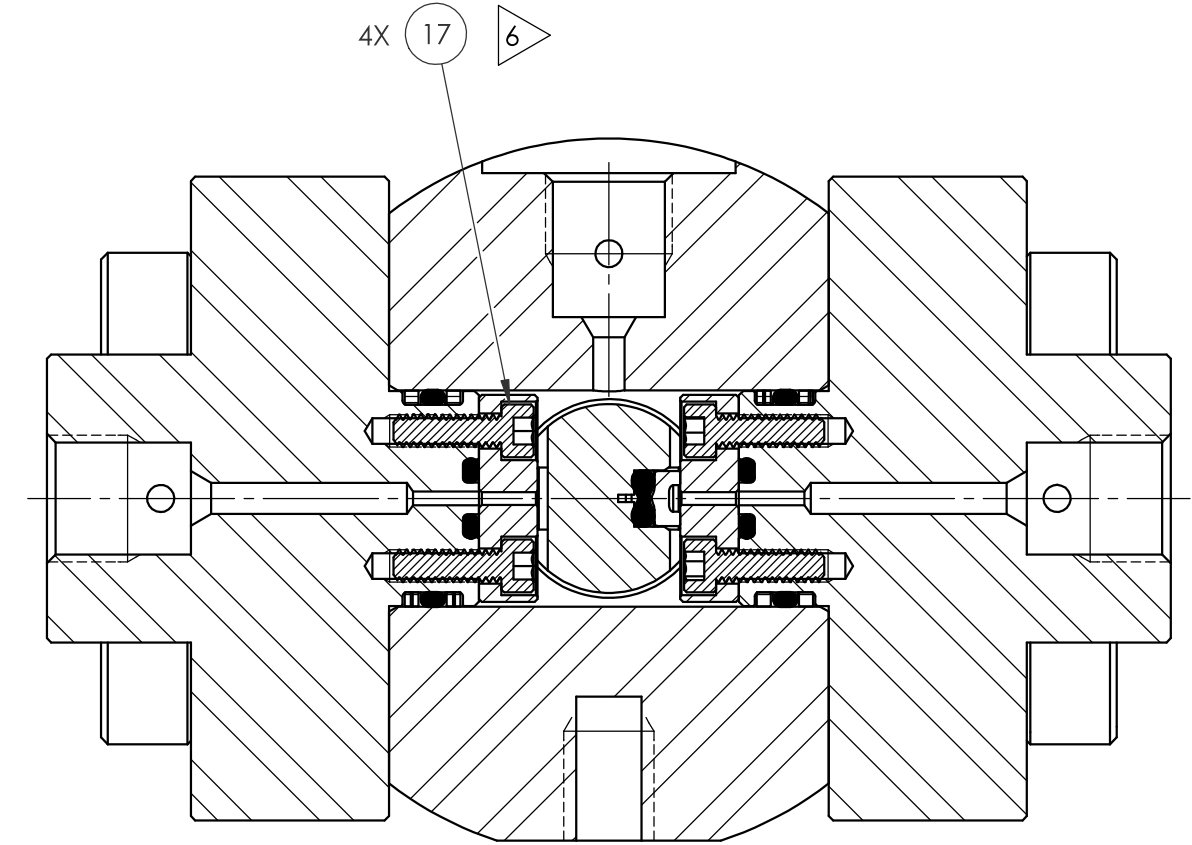
A

4

3

2

1



**SECTION C-C**

4X 17 6

 <b>Gilmore</b> <small>a pro/erv company</small>		<b>ENGINEERING</b>	
SIZE <b>B</b>	DWG NO <b>29164</b>	REV <b>B</b>	
SCALE 1:2	SolidWorks	SHEET 3 OF 4	

4

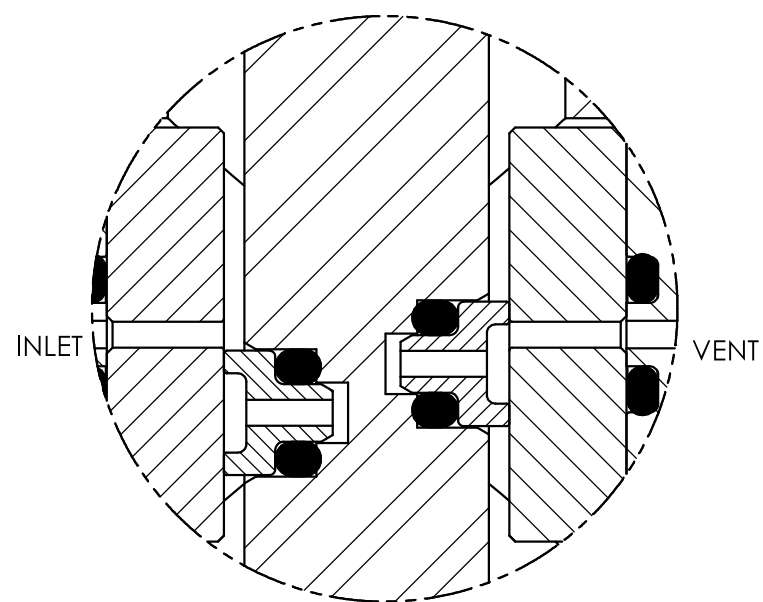
3

2

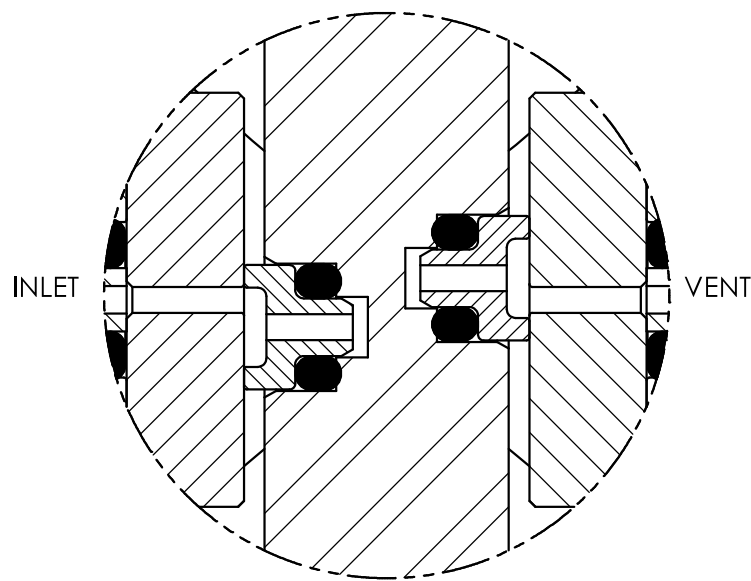
1

B

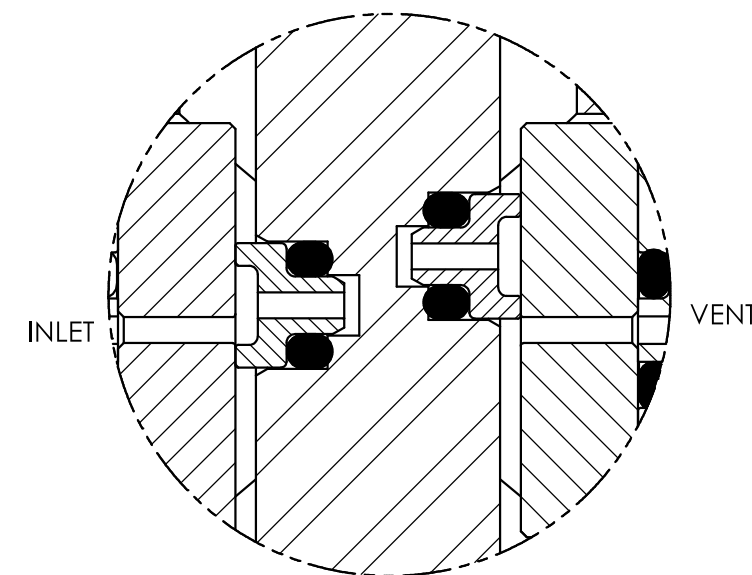
B



**DETAIL B  
OPEN**



**DETAIL B  
CLOSED**



**DETAIL B  
VENT**

A

A

4

3

2

1



**ENGINEERING**

SIZE	DWG NO	REV
<b>B</b>	<b>29164</b>	<b>B</b>
SCALE	1:2	SHEET 4 OF 4
SolidWorks		



4

3

2

1

NOTES:

- 1 MARKING: MARK COMPONENT WITH ASSEMBLY W.O. AS SHOWN ON COMPONENT DRAWING.
- 2. "X" IN THE BOM DEPICTS PARTS IN REPAIR KIT 29165 RK, AND SEAL KIT 29165 SK.
- 3 MARK AS SHOWN USING LASER ETCH OR COMPUTER CONTROLLED DOT PEEN MARKING MACHINE, .06 HIGH MIN CHARACTERS.
- 4 ASSEMBLY PROCEDURE: 50331  
STANDARD FAT PROCEDURE: 50332  
EXTENDED FAT PROCEDURE: 50333  
SERVICE MANUAL: 51033
- 5 ALL MANUFACTURED ITEMS ARE PASSIVATED
- 6 TORQUE CAPSCREW (ITEM 7) TO 10 FT - LB.  
TORQUE CAPSCREW (ITEM 17) TO 5 IN - LB.  
TORQUE VENTED PLUG (ITEM 22) TO 20 FT-LB.

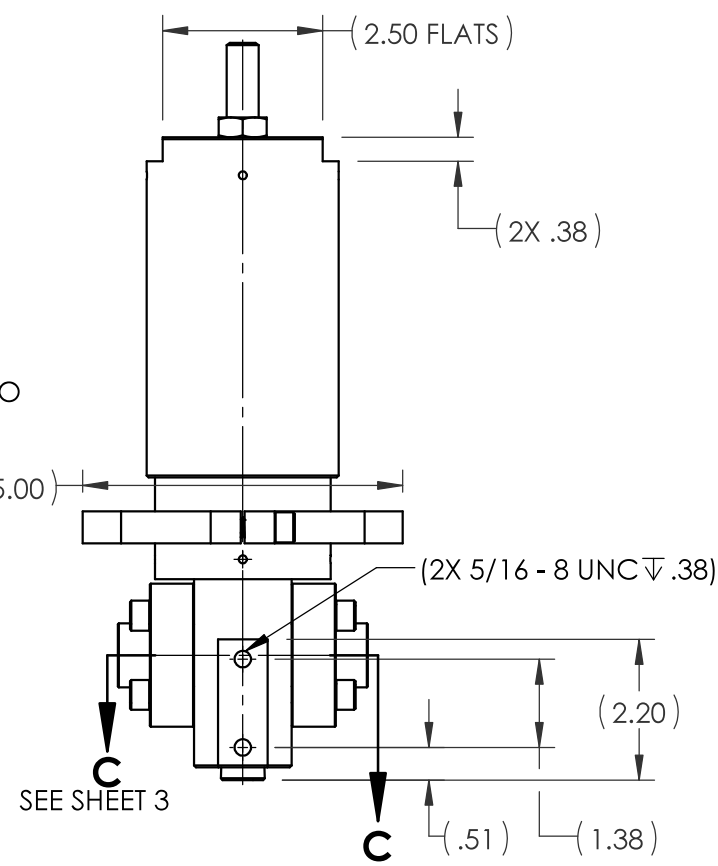
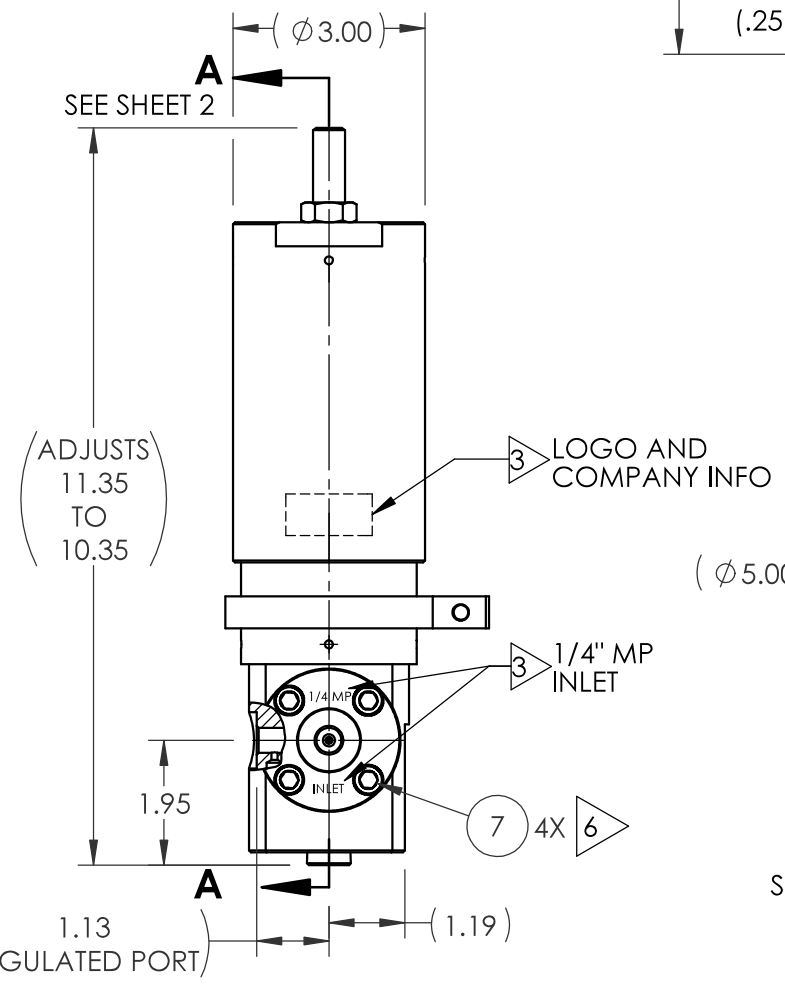
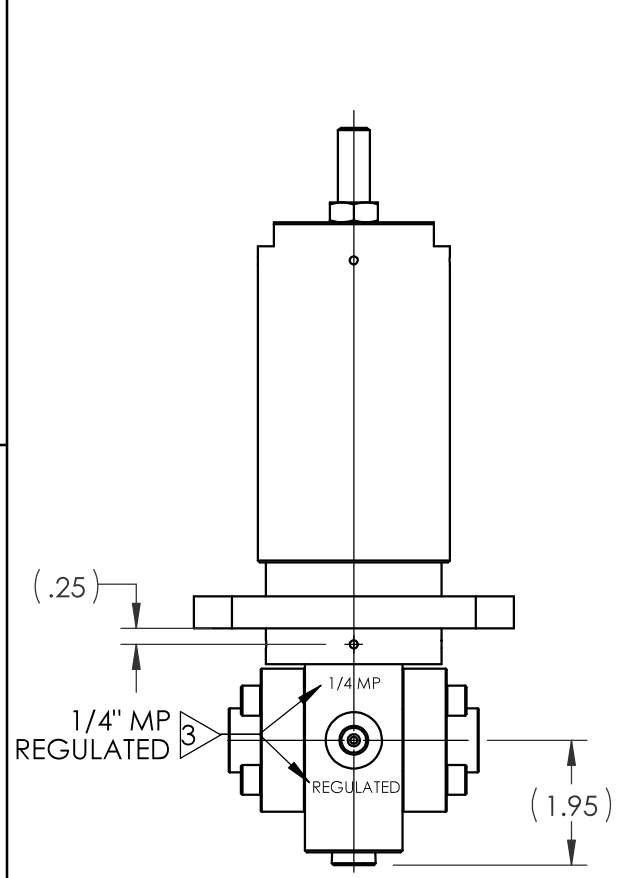
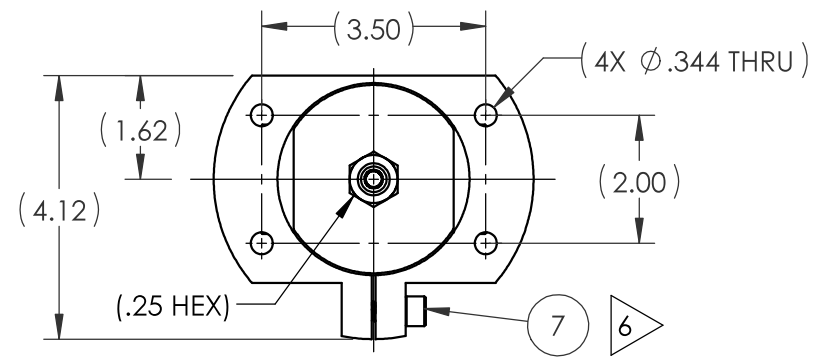
**PRESSURE DATA**  
 VALVE MAWP: 15,000 PSI  
 REGULATED PRESSURE RANGE: 3,000 - 9,000 PSI  
 DEADBAND: 900 +/- 100 PSI AT 15,000 PSI SUPPLY  
 700 +/- 100 PSI AT 10,000 PSI SUPPLY  
 TYPICAL FLOW RATE: 4 GPM  
 ADJUSTMENT SCREW TORQUE MAX 35 FT-LB.

REVISIONS				
REV	ERN /ECO NUMBER	DRAWN	CHECKED	APPROVED
B	ECO 020676	JZ 5/6/21	AV 5/6/21	AJP 5/6/21

**PORTS**  
 INLET PORT: 1/4" MP  
 REGULATED PORT: 1/4" MP  
 VENT PORT: 1/4" MP

**FLOW DATA**  
 Cv: .08 (CALC)  
 FLUIDS: WATER BASED DRILLING CONTROL FLUID  
 MINERAL OIL BASED DRILLING CONTROL FLUID

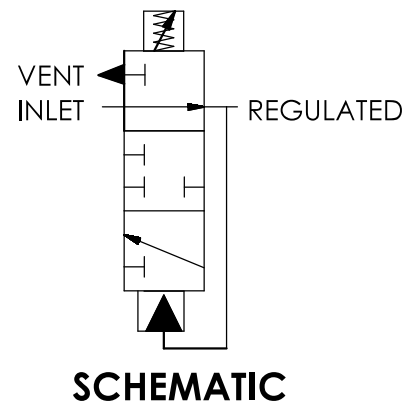
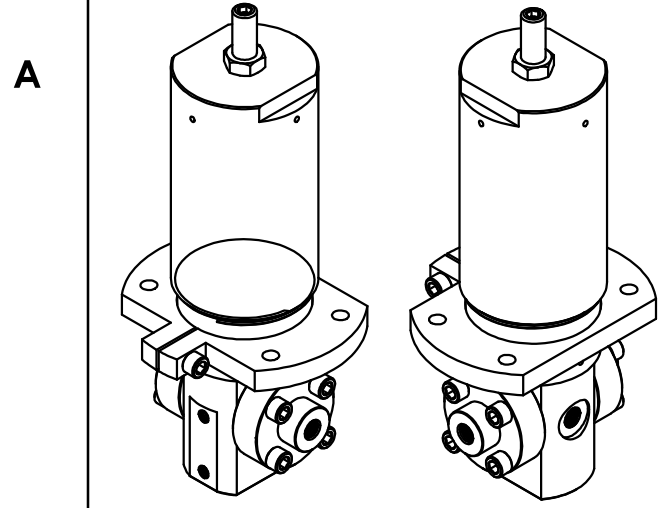
**GENERAL DATA**  
 APPROX WEIGHT: 13.9 LBS  
 TEMP RANGE: 32°F TO 150°F  
 FIELD SERVICEABLE



**Gilmore GEN2**  
 29165  
 VER (AX VERSION #)  
 (SERIAL NUMBER)  
 15,000 PSI  
 (DATE OF MFG)

SEE SHOP TRAVELER FOR ADDITIONAL INFO REQUIRED

1/4" MP VENT



PATENT PENDING

MATERIAL: REFER TO INDIV BOM ITEMS	DIMENSIONS AND TOLERANCES ARE IN INCHES PER ASME Y14.5M-1994. UNLESS OTHERWISE SPECIFIED: 1) TOLERANCES: .X: ±.1 .XX: ±.01 .XXX: ±.005 ANGLES: ±.5° 2) SURFACE TEXTURE: 63 3) CORADIAL FEATURES SHALL BE WITHIN .010 4) BREAK SHARP EDGES .010 5) INTERNAL RADII SHALL BE .016 MAX 6) DRILL POINTS OPTIONAL WHEN SHOWN UNSPECIFIED. ALL DRILL POINT ANGLES SHALL BE BETWEEN 90°-140°	APPROVAL	
CONDITION:		DRAWN BY JZ	DATE 2/26/21
TREATMENT:		CHECKED BY CMY	DATE 2/26/21
PROCEDURE NUMBER:		ENGINEER AP	DATE 2/26/21
		ERN NUMBER 02481	DATE 2/23/21
THE INFORMATION CONTAINED IN THIS DRAWING IS THE SOLE PROPERTY OF GILMORE VALVE CO UNLESS OTHERWISE STATED. ANY REPRODUCTION IN PART OR WHOLE WITHOUT THE WRITTEN PERMISSION OF GILMORE VALVE CO IS PROHIBITED.			

**Gilmore ENGINEERING**  
 a pro/erv company

**VALVE, PRESSURE REGULATOR, GEN 2, COMPACT, BRACKET, 3/15 KSI, 1/4" MP**

SIZE <b>B</b>	DWG NO	REV <b>B</b>
SCALE 1:2	SolidWorks	SHEET 1 OF 4

4

3

2

1

4

3

2

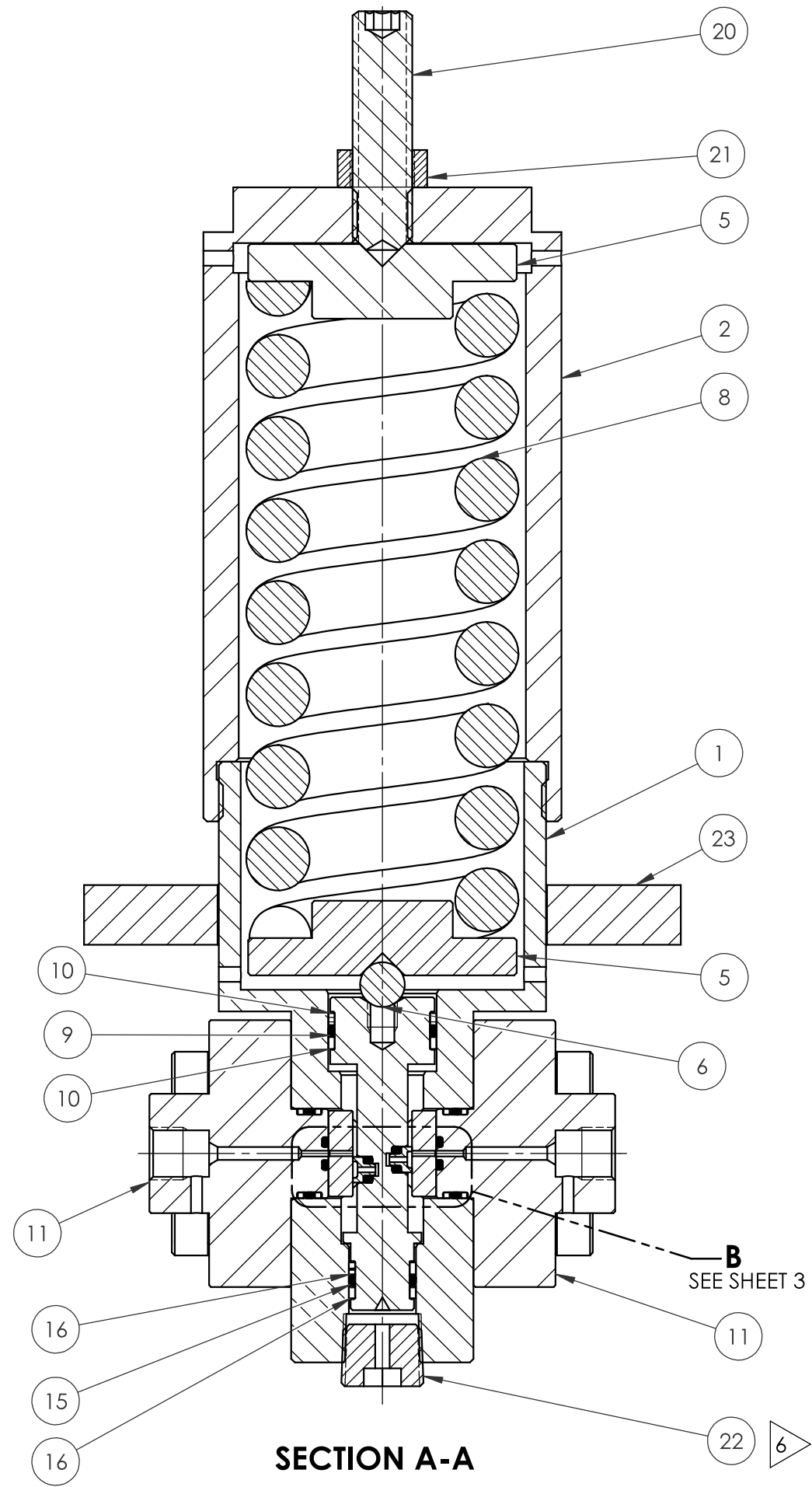
1

B

B

A

A



SECTION A-A

4

3

2

1

BILL OF MATERIALS

ITEM NO	PART NUMBER	DESCRIPTION	MATERIAL	QTY	RK	SK
1	217526	BODY, 1/4" MP, COMPACT REGULATOR	A276 TP S20910 (NITRONIC 50)	1		
2	216345	HOUSING, SPRING, VALVE, COMPACT REGULATOR, GEN 2	A276 UNS S21800 (NITRONIC 60)	1		
3	205409	PLATE, SEAL, COMPACT REGULATOR	TUNGSTEN CARBIDE /NICKEL	2	X	
4	205410	CONTAINER, SEAL, COMPACT REGULATOR	A276 TP S21800 (NITRONIC 60)	1	X	
5	216346	SPRING DISK	A276 TP 316 (316 SS)	2		
6	18800-007	BALL	A276 TP 316 (316 SS)	1		
7	18224-047	SHCS, 5/16-18 UNC X 1" LG	A453 GR660	9		
8	214606	SPRING, COMPRESSION	INCONEL X-750	1		
9	18100-007K1	O-RING	HNBR	1	X	X
10	212267	BACKUP RING	PEEK	2	X	X
11	217525	FLANGE, 1/4" MP, COMPACT REGULATOR	A276 TP 316 (316 SS)	2		
12	205414	HYDRO SEAL, VENT, COMPACT REGULATOR	TUNGSTEN CARBIDE /NICKEL	2	X	
13	18100-014K1	O-RING	HNBR	2	X	X
14	18100-613K1	O-RING	HNBR	2	X	X
15	18100-013K1	O-RING	HNBR	1	X	X
16	205415	BACKUP RING	PEEK	2	X	X
17	18221-010G	SHCS #4-40 UNC X 3/8" LG NYLON	F593 Gr 2 COND A (316 SS)/NYLON	4	X	X
18	18100-001K1	O-RING	HNBR	2	X	X
19	205416	BACKUP RING	PEEK	4	X	X
20	216348	ADJUSTMENT SCREW, 1/2"-13 UNC	TP 316	1		
21	216349	JAM - NUT, HEX, 1/2"-13 UNC	TP 316	1		
22	216350	PIPE PLUG, 3/8" NPT, VENTED	TP 316	1		
23	216547	PANEL BRACKET	A240	1		



**Gilmore**  
a proserv company

**ENGINEERING**

SIZE	DWG NO	REV
<b>B</b>	<b>29167</b>	<b>B</b>
SCALE	1:2	SHEET 2 OF 4
SolidWorks		

4

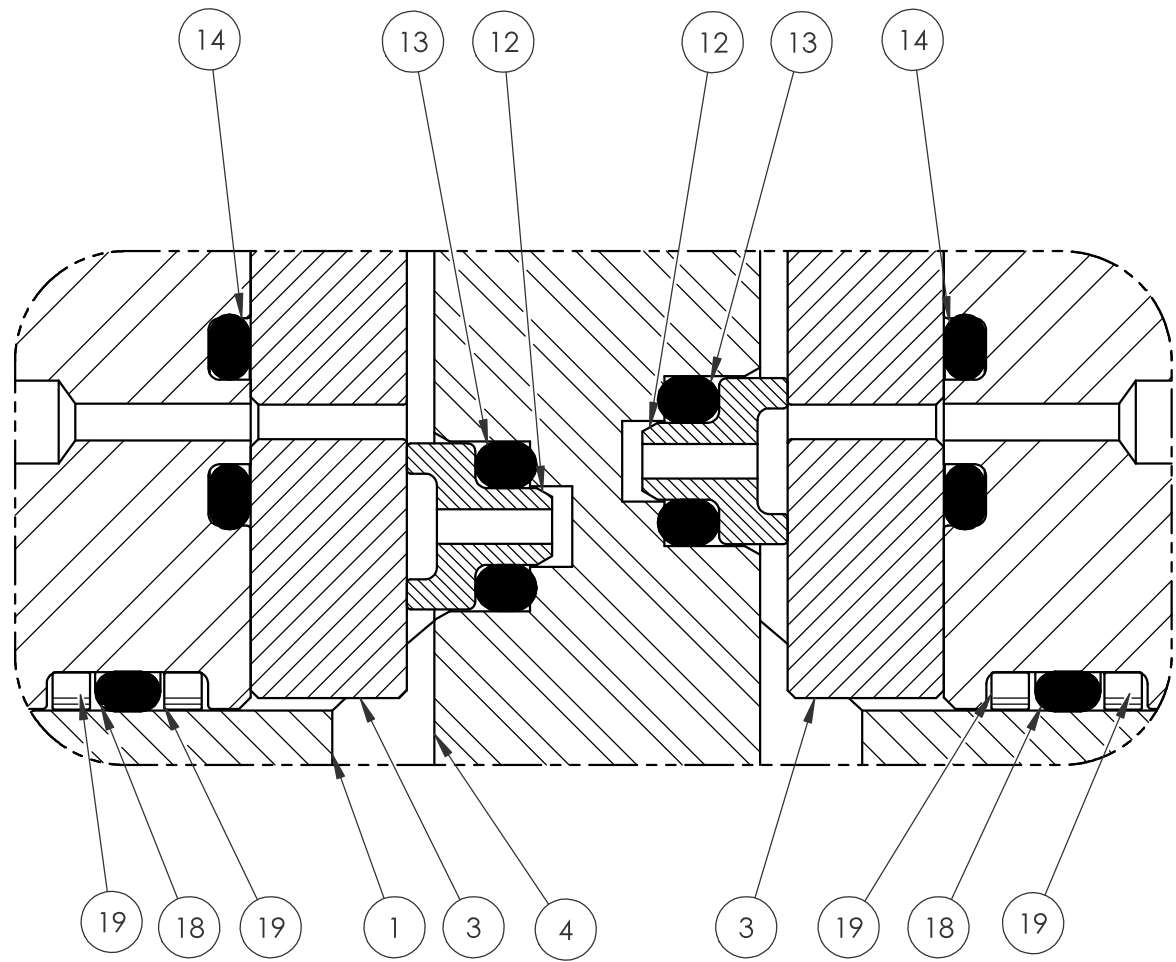
3

2

1

B

B



**DETAIL B**

(REFER TO SHEET 4 FOR POSITIONS)

19

18

19

1

3

4

3

19

18

19

14

13

12

12

13

14

A

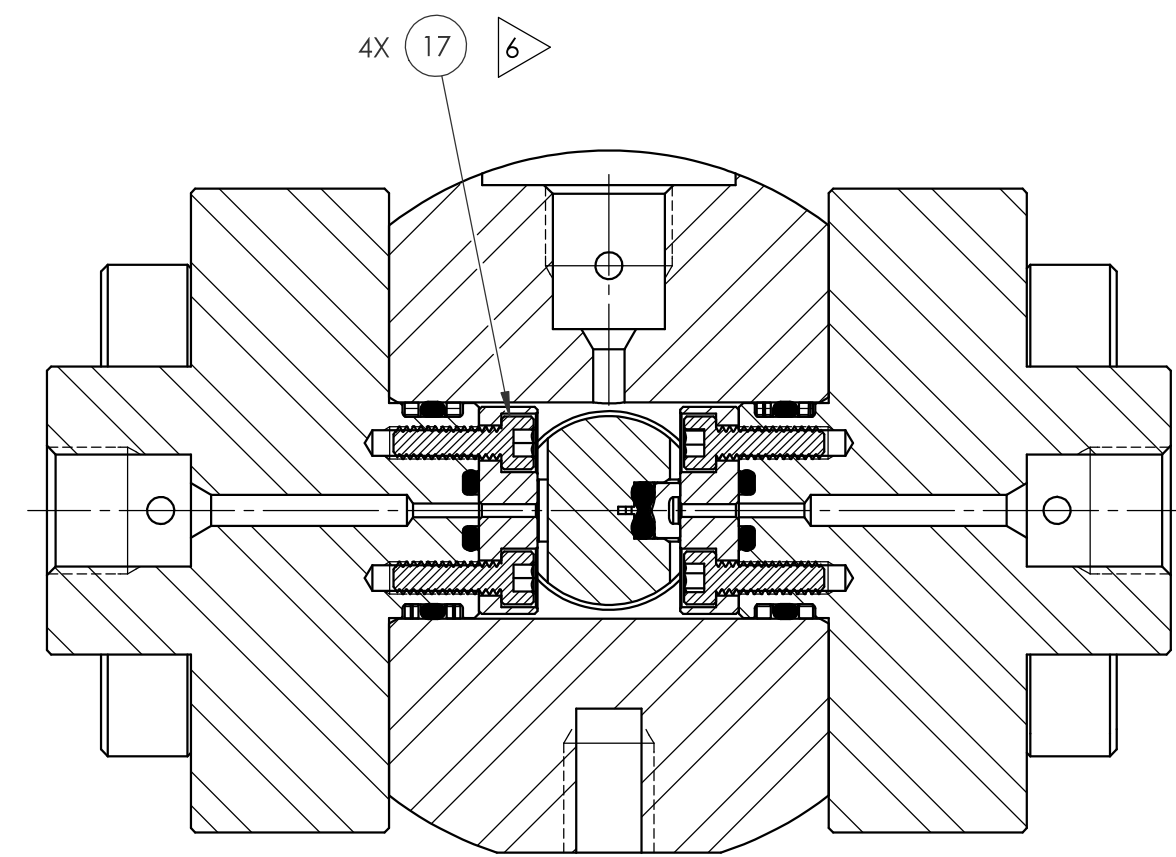
A

4

3

2

1



**SECTION C-C**

4X 17 6

 <b>Gilmore</b> <small>a pro/erv company</small>		<b>ENGINEERING</b>	
SIZE <b>B</b>	DWG NO <b>29167</b>	REV <b>B</b>	
SCALE 1:2	SolidWorks	SHEET 3 OF 4	

4

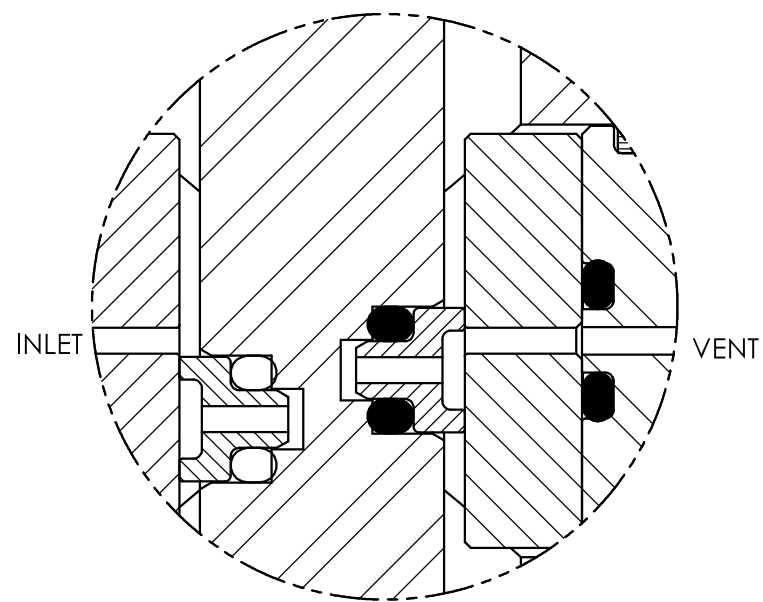
3

2

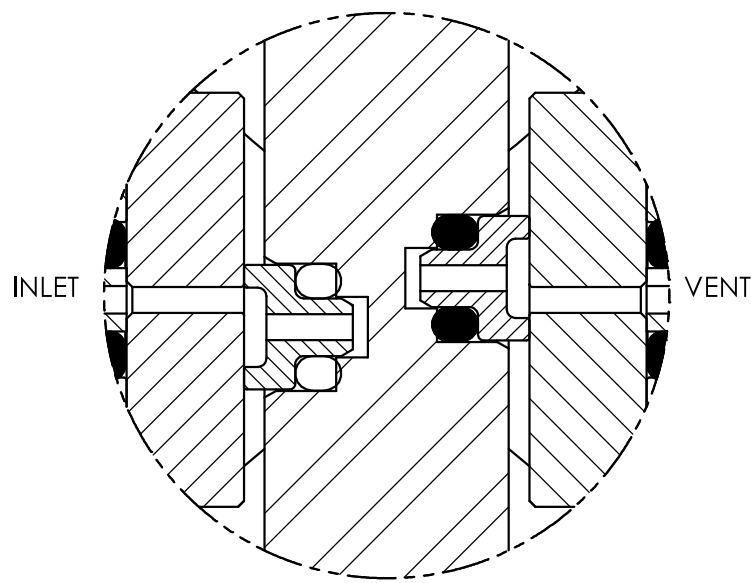
1

B

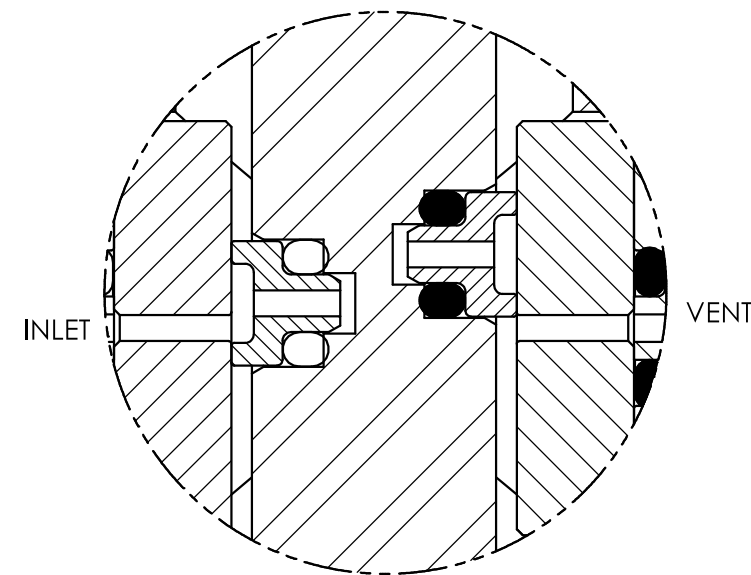
B



**DETAIL B  
OPEN**



**DETAIL B  
CLOSED**



**DETAIL B  
VENT**

A

A

4

3

2

1



**Gilmore**  
a pro/erv company

**ENGINEERING**

SIZE	DWG NO	REV
<b>B</b>	<b>29167</b>	<b>B</b>
SCALE	1:2	SHEET 4 OF 4
SolidWorks		