

## 1-1/2" GEN 2 SPM Cartridge & Valve Product Line

REV	DATE	DESCRIPTION	ORIGIN (issued by)	APPROVED
001	01-27-2020	Document No: 105-012720-001	AP	BR

### COMPANY PROPRIETARY INFORMATION

© 2014 Proserv. All Rights Reserved. This document contains confidential and proprietary information of Proserv. It is not to be in whole or in part, used, reproduced, disclosed, in any way made public or is it to be used for any purpose other than for which it was issued without express permission of Proserv. Proserv shall not be liable for any compensation, claims or damages resulting from any unauthorised use of this document or any information contained herein, and you agree to defend and hold Proserv harmless with respect to any such compensation, claims or damages. This document and all information and data contained herein are subject to return upon demand. Legal action may follow any breach of this Copyright.

---

**For more information:**

Call (800) 469-8786

[Gilmore@proserv.com](mailto:Gilmore@proserv.com)

Gilmore  
1231 Lumpkin Road  
Houston, TX 77043

## 1-1/2" GEN 2 SPM Cartridge & Valve Product Line

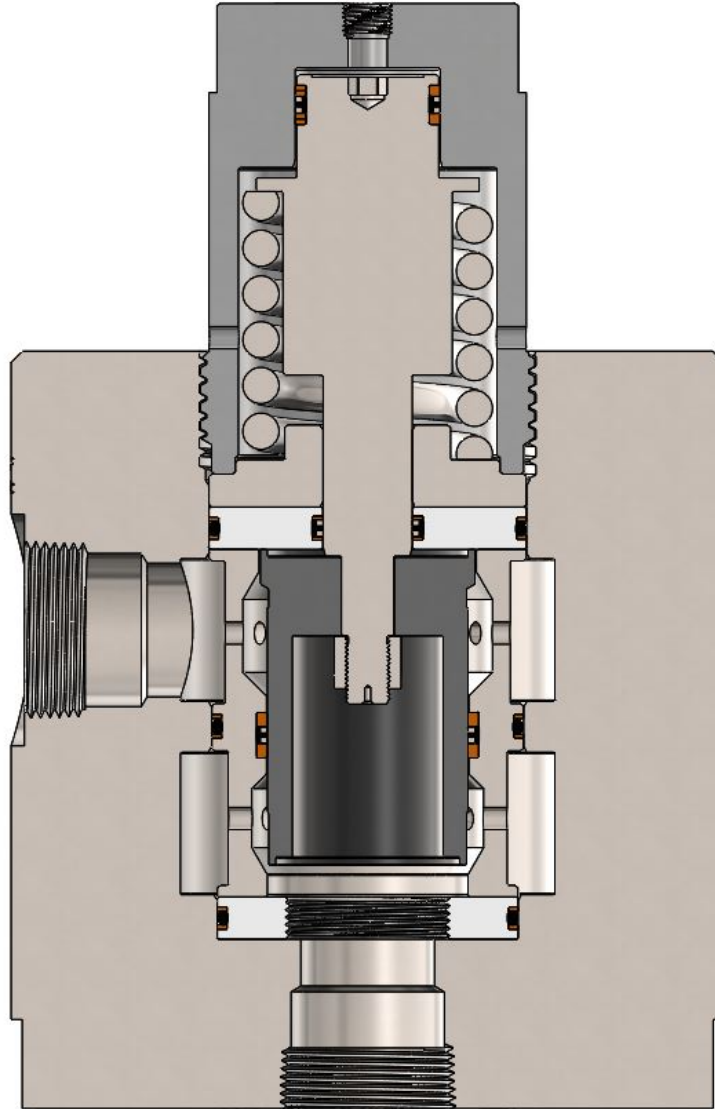


Gilmore announces the new 1-1/2 inch GEN 2 SPM product line for critical offshore and subsea applications. The 1-1/2 inch GEN 2 SPM has been redesigned with significant improvements, within the same cavity and footprint as the legacy SPM, allowing direct replacement in existing Gilmore SPM manifolds. Gilmore's proprietary SPM cartridge technology provides an order of magnitude improvement in SPM cycle life.

### Features and Benefits:

- Qualification exceeds API 16D requirements –
  - Two separate full flow tests at 2500 cycles each
- Proprietary bi-directional cartridge performs in both Normally Closed or Normally Open applications
- Reduces interflow
- Reduces pressure spikes
- Improved valve materials:
  - 316 SS Body and Spring
  - Nitronic 50 Piston Rod
  - Nitronic 60 Seal Sleeve and Cage
  - Aluminium Bronze Bushing
  - Shouldered & Torqued Nylon Lock Nut
  - Dynamic T-Seals
  - HNBR Soft Seals with PEEK Double Back-up Rings
  - Delrin 511P Top and Bottom Seats
- Options available for 3000 psi or 5000 psi pilot MAWP
- Wide array of options available for body & port style, and customized manifolded assemblies
- Patent Pending

Figure 1. PN 29066: 1-1/2 inch GEN 2 SPM Valve, N.C., 1-1/2 inch NPTF, 1/4 inch NPTF 5000 psi Pilot



Gilmore has met or exceeded API 16D requirements by qualifying the new 1-1/2 inch GEN 2 SPM designs to multiple endurance qualification tests to 2500 cycles, at 5000 psi and 250 GPM, with 1% - 4% water glycol test fluid.

The new 1-1/2 inch GEN 2 SPM Cartridge and Valve have the identical cavity and valve footprint dimensions as the legacy SPM, allowing drop-in replacement.

As a result of the new Gilmore 1-1/2 inch GEN 2 SPM product line, please note that sales of the legacy 1-1/2 inch SPM Cartridge and Valve part numbers listed below will be discontinued as of January 27, 2021. The new Gilmore 1-1/2 inch GEN 2 SPM Cartridge and Valves are now available as a replacement for the legacy 1-1/2 inch SPM Cartridge and Valves.

After new legacy valve sales are discontinued, Gilmore will continue to support the legacy 1-1/2 inch SPM product line:

- Gilmore will continue providing repair kits and seal kits in support of discontinued legacy 1-1/2 inch SPM Cartridge and Valves for a minimum of 3 years. The legacy 1-1/2 inch SPM Cartridge and Valves listed below are field repairable.
- Gilmore Aftermarket will continue to support discontinued legacy products with factory failure analysis and repair services for a minimum of 3 years.

Please note that GEN 2 repair kits are not interchangeable with legacy repair kits and cannot be used in legacy SPMs. Please contact Gilmore Customer Service to assist you with selecting the GEN 2 replacement valve part numbers.

**Table 1 New and Legacy 1-1/2 inch SPM Part Number Cross References**

Item	Legacy Description	Legacy Valve PN	Legacy Repair Kit PN	GEN 2 Cartridge or Valve Description	GEN 2 Valve PN	GEN 2 Repair Kit PN
1.1	Valve, 1-1/2 inch SPM, N.O., 5000 psi Pilot, 1/4 NPT Pilot Port, 1-1/2 NPT Block Ports	27614-1	27169-2 RK	Valve, 1-1/2 inch GEN 2 SPM, N.O., 5000 psi Pilot, 1/4 NPT Pilot Port, 1-1/2 NPT Block Ports	29065	29065 RK
1.2	Valve, 1-1/2 inch SPM, N.C., 5000 psi Pilot, 1/4 NPT Pilot Port, 1-1/2 NPT Block Ports	27615-1	27170-2 RK	Valve, 1-1/2 inch GEN 2 SPM, N.C., 5000 psi Pilot, 1/4 NPT Pilot Port, 1-1/2 NPT Block Ports	29066	29067RK
1.3	N/A	N/A	N/A	Valve, 1-1/2 inch GEN 2 SPM, N.C., 5000 psi Pilot, 1/4 NPT Pilot Port, 1-1/2 Code 62 Block Ports	29075	29067 RK
1.4	Cartridge, 1-1/2 inch SPM, N.O., 5000 psi Pilot, 1/4 NPT Pilot Port	27169-2	27169-2 RK	Cartridge, 1-1/2 inch GEN 2 SPM, N.O. & N.C., 5000 psi Pilot, 1/4 NPT Pilot Port	29067	29067 RK
1.5	Cartridge, 1-1/2 inch SPM, N.C., 5000 psi Pilot, 1/4 NPT Pilot Port	27170-2	27170-2 RK	Cartridge, 1-1/2 inch GEN 2 SPM, N.O. & N.C., 5000 psi Pilot, 1/4 NPT Pilot Port	29067	29067 RK
1.6	Cartridge, 1-1/2 inch SPM, N.C., 5000 psi Pilot, 1/4 NPT Pilot Port, Delrin Seats	27170-3	27170-3 RK	Cartridge, 1-1/2 inch GEN 2 SPM, N.O. & N.C., 5000 psi Pilot, 1/4 NPT Pilot Port	29067	29067 RK
1.7	Cartridge, 1-1/2 inch SPM", N.C., 3000 psi Pilot, 1/4 NPT Pilot Port, Delrin Seats	27170-3-1	27170-3-1 RK	Cartridge, 1-1/2 inch GEN 2 SPM, N.O. & N.C., 3000 psi Pilot, 1/4 NPT Pilot Port	29074	29074 RK
1.8	Cartridge, 1-1/2 inch SPM, N.O., 3000 psi Pilot, 1/4 NPT Pilot Port	27552	27552 RK	Cartridge, 1-1/2 inch GEN 2 SPM, N.O. & N.C., 3000 psi Pilot, 1/4 NPT Pilot Port	29074	29074 RK
1.9	Cartridge, 1-1/2 inch SPM, N.C., 5000 psi Pilot, 1/4 NPT Pilot Port, Delrin Seats	28481	28481 RK	Cartridge, 1-1/2 inch GEN 2 SPM, N.O. & N.C., 5000 psi Pilot, 1/4 NPT Pilot Port	29067	29067 RK
1.10	Cartridge, 1-1/2 inch SPM, N.C., 3000 psi Pilot, 1/4 NPT Pilot Port, Delrin Seats	28482	28482 RK	Cartridge, 1-1/2 inch GEN 2 SPM, N.O. & N.C., 3000 psi Pilot, 1/4 NPT Pilot Port	29074	29074 RK

**Table 2. Uncommon Legacy 1-1/2 inch SPM Valve Part Number Cross References**

Item	Legacy Description	Legacy Valve PN	Legacy Repair Kit PN	GEN 2 Valve Description	GEN 2 Valve PN	GEN 2 Repair Kit PN
1.1	Cartridge, SPM, 1-1/2 inch, N.O., 5000 psi Pilot, 1/4 BSPP Pilot Port	28397	28397 RK	Cartridge, 1-1/2 inch GEN 2 SPM, N.O. & N.C., 5000 psi Pilot, 1/4 BSPP Pilot Port	29067-1	29067-1 RK
1.2	Cartridge, SPM, 1-1/2 inch, N.C., 5000 psi Pilot, 2-Way, Pilot Port 1/4 BSPP	28507	28507 RK	Cartridge, 1-1/2 inch GEN 2 SPM, N.O. & N.C., 5000 psi Pilot, 1/4 BSPP Pilot Port	29067-2	29067-2 RK
1.3	Cartridge, SPM, 1-1/2 inch, N.C., 5000 psi Pilot, 2-Way, Pilot Port 1/4 SAE	28602	28602 RK	Cartridge, 1-1/2 inch GEN 2 SPM, N.O. & N.C., 5000 psi Pilot, 1/4 SAE Pilot Port	29067-3	29067-3 RK
1.4	Conversion Kit, SPM, 1-1/2 inch, N.C., 5000 psi Pilot, Soft Goods	28157	N/A	Cartridge, 1-1/2 inch GEN 2 SPM, N.O. & N.C., 5000 psi Pilot, 1/4 NPT Pilot Port	29067	29067 RK
1.5	Conversion Kit, SPM, 1-1/2 inch, N.C., 5000 psi Pilot, Soft Goods and Seal Sleeve	28160	N/A	Cartridge, 1-1/2 inch GEN 2 SPM, N.O. & N.C., 5000 psi Pilot, 1/4 NPT Pilot Port	29067	29067 RK

If a new Gilmore 1-1/2 inch GEN 2 SPM part number is not listed above for a specific legacy part number, please contact Gilmore Customer Service to request a quotation and creation of a new GEN 2 part number.

Please contact Gilmore Customer Service to request drawings and quotations for these SPMs at [Gilmore@proserv.com](mailto:Gilmore@proserv.com).

4

3

2

1

NOTES:

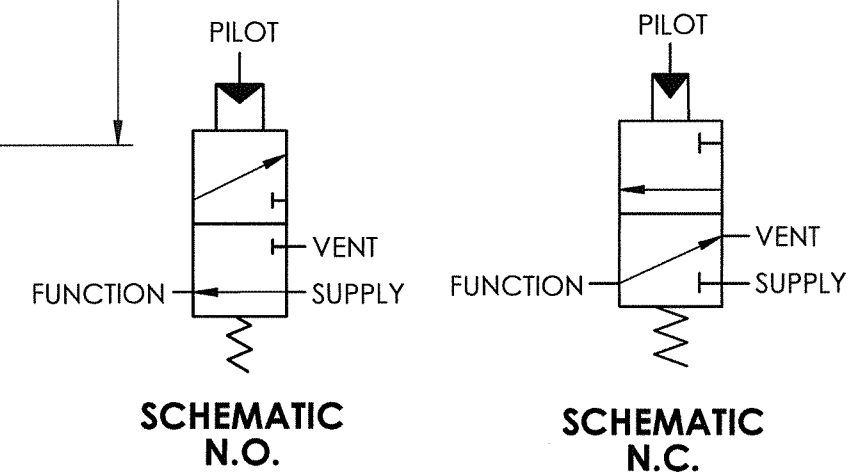
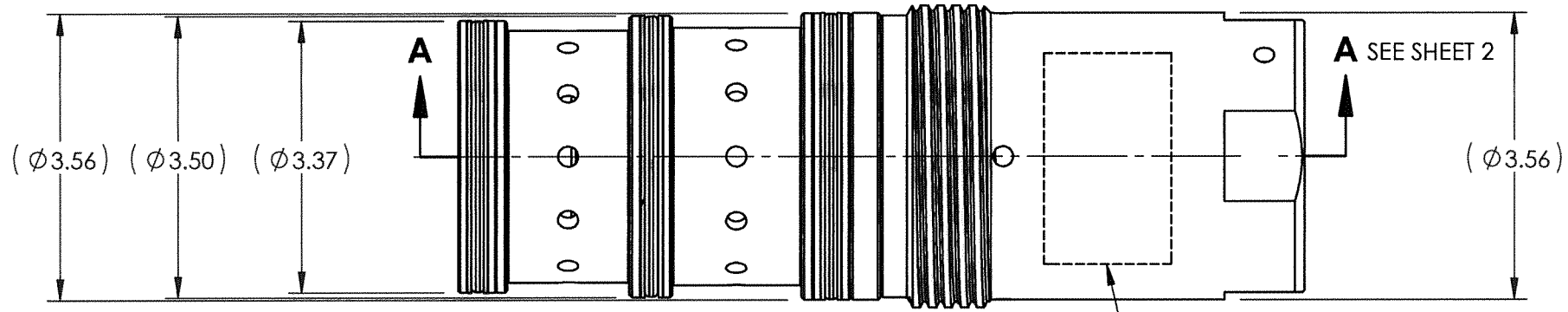
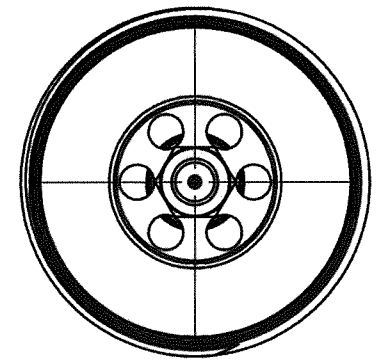
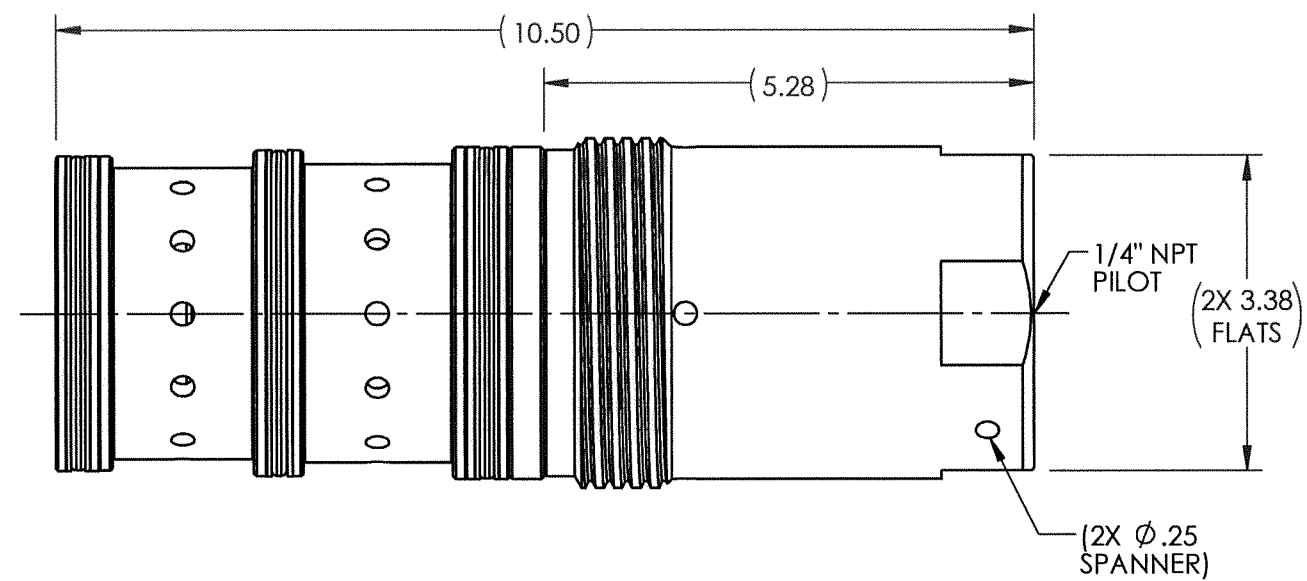
- 1 ▷ MARK COMPONENT WITH ASSEMBLY W.O. NUMBER AS SHOULD ON COMPONENT DRAWING
- 2 ▷ MARKING: MARK AS SHOWN USING LASER ETCH OR COMPUTER CONTROLLED DOT PEEN MARKING MACHINE, .06 HIGH MIN CHARACTERS.
- 3. FOR BOTTOM SEAL REMOVAL USE TOOL ATL 10010-003.
- 4. X, IN COLUMN DEPICTS PARTS IN SEAL KIT 29067 SK.
- 5. X, IN COLUMN DEPICTS PARTS IN REPAIR KIT 29067 RK.
- 6 ▷ TORQUE ITEM 4 TO 25 FT-LBS.
- 7 ▷ TORQUE ITEM 1 TO 300 FT-LBS IN BLOCK USING SPECIAL TOOL ATL 10112.
- 8 ▷ ALL MANUFACTURED ITEMS ARE PASSIVATED.
- 9 ▷ ASSEMBLY PROCEDURE: 50274  
STANDARD FAT PROCEDURE: 50275  
EXTENDED FAT PROCEDURE: 50276 (B)  
SERVICE MANUAL: 51025

REVISIONS				
REV	ERN /ECO NUMBER	DRAWN	CHECKED	APPROVED
B	ECO 017165	ay 10-2-19	10/2/19	10/3/19

**PRESSURE DATA**  
 SUPPLY MAWP: 5,000 PSI  
 PILOT MAWP: 5,000 PSI  
 AT 5000 PSI SUPPLY RECOMMENDED MINIMUM PILOT PRESSURE: 3,000 PSI  
 AT 3000 PSI SUPPLY RECOMMENDED MINIMUM PILOT PRESSURE: 2,000 PSI

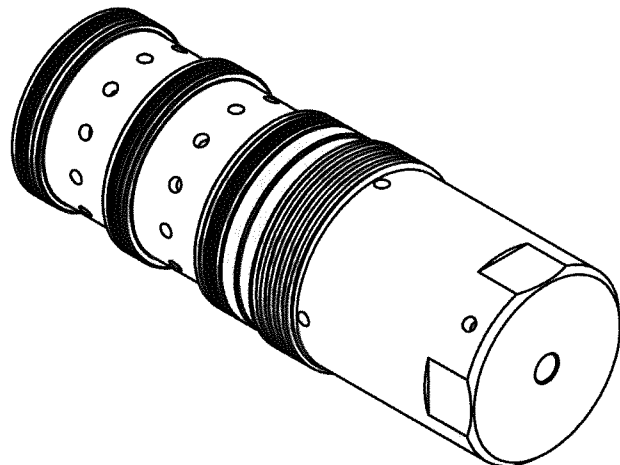
**FLOW DATA**  
 CV = 11  
 MAX FLOW CAPACITY: 250 GPM  
 FLUIDS: 1.) WATER BASED DRILLING CONTROL FLUID.  
 2.) MINERAL OIL BASED DRILLING CONTROL FLUID.

**GENERAL DATA**  
 TEMPERATURE RANGE: 32 °F TO 150 °F  
 APPROX WEIGHT: 19.5 LBS  
 FIELD SERVICEABLE



29067  
 VER (AX VERSION #)  
 (SERIAL NUMBER)  
 PATENT PENDING  
 5,000 PSI  
 (DATE OF MFG)  
 SEE SHOP TRAVELER  
 FOR ADDITIONAL  
 INFO REQUIRED

PATENT PENDING



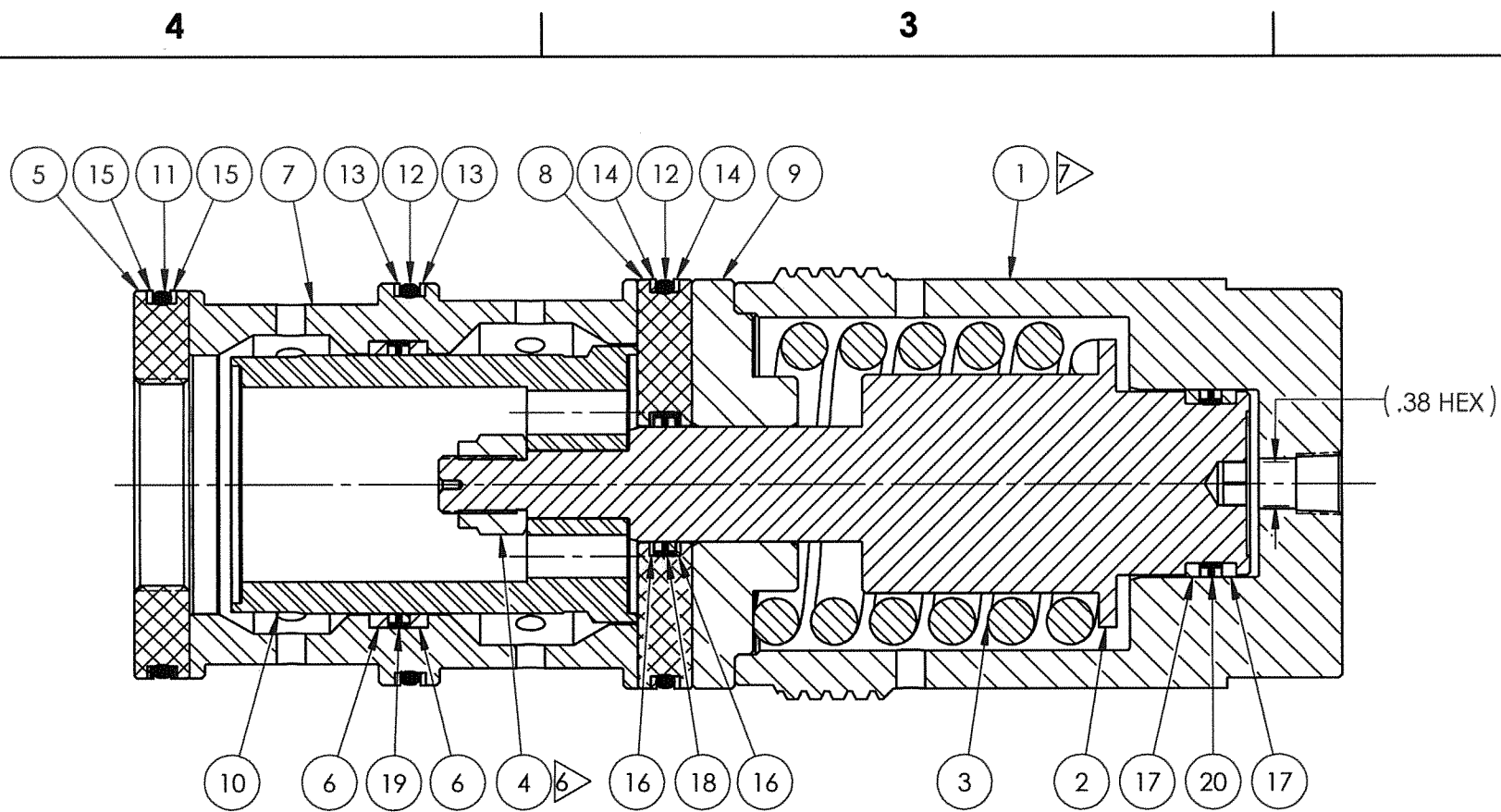
MATERIAL: SEE PARTS IN BOM	CONDITION:	TREATMENT:	PROCEDURE NUMBER: 9	DIMENSIONS AND TOLERANCES ARE IN INCHES PER ASME Y14.5M-1994. UNLESS OTHERWISE SPECIFIED: 1) TOLERANCES: .X: ±.1 .XX: ±.01 .XXX: ±.005 ANGLES: ±.5° 2) SURFACE TEXTURE: 63 3) CORADIAL FEATURES SHALL BE WITHIN .010 4) BREAK SHARP EDGES .010 5) INTERNAL RADII SHALL BE .016 MAX 6) DRILL POINTS OPTIONAL WHEN SHOWN UNSPECIFIED. ALL DRILL POINT ANGLES SHALL BE BETWEEN 90°-140°	APPROVAL			<b>CARTRIDGE, SPM, GEN 2,          1-1/2", N.O OR N.C.,          5000 PSI SUPPLY, 5000 PSI PILOT</b>	SIZE <b>B</b> DWG NO <b>29067</b> REV <b>B</b>
					DRAWN BY: CMY DATE: 9-11-19 CHECKED BY: JP DATE: 9-11-19 ENGINEER: AJP DATE: 9-11-19 ERN NUMBER: 02311 DATE: 5-24-19	THE INFORMATION CONTAINED IN THIS DRAWING IS THE SOLE PROPERTY OF GILMORE VALVE CO UNLESS OTHERWISE STATED. ANY REPRODUCTION IN PART OR WHOLE WITHOUT THE WRITTEN PERMISSION OF GILMORE VALVE CO IS PROHIBITED.			

4

3

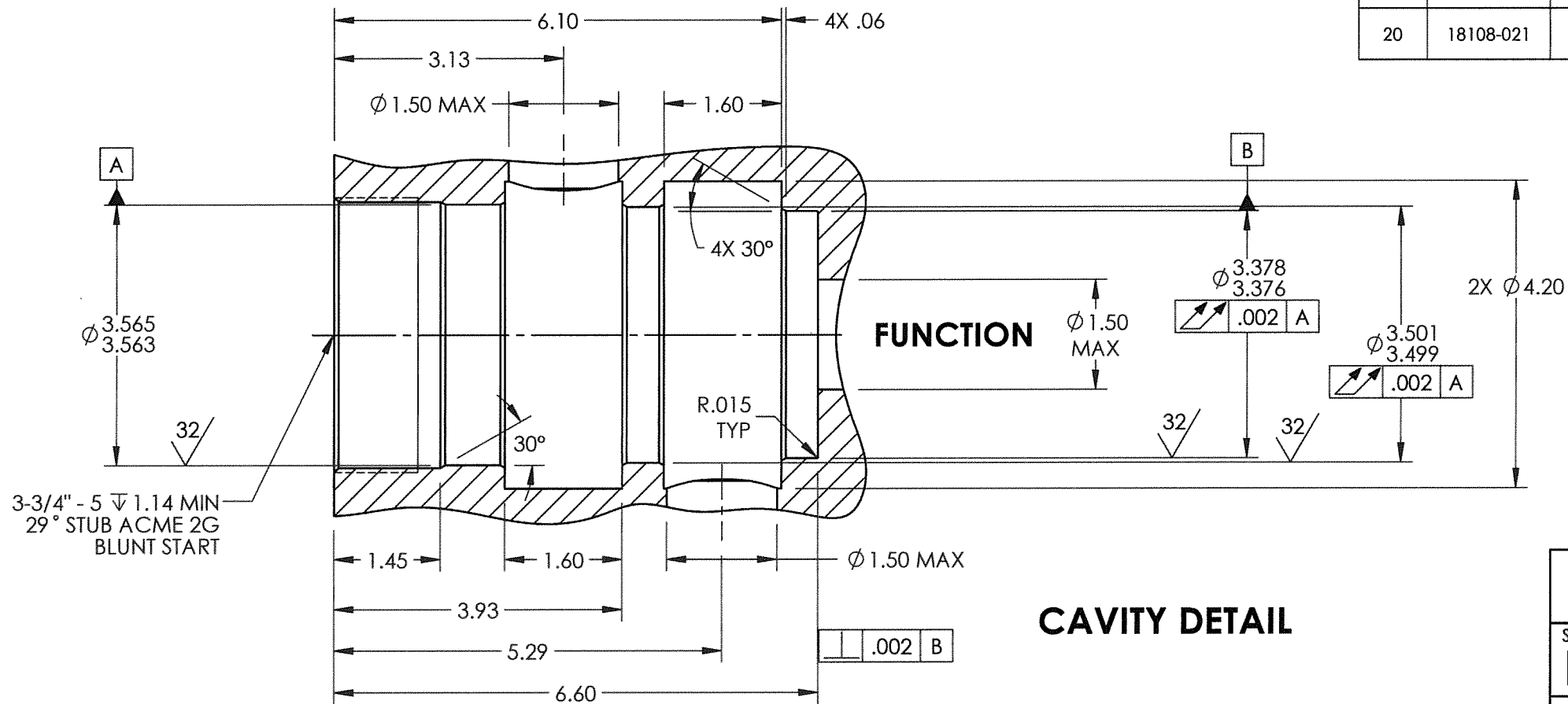
2

1



**SECTION A-A  
SCALE 1 : 1.5**

BILL OF MATERIALS						
ITEM NO	PART NUMBER	DESCRIPTION	MATERIAL	QTY	RK	SEAL KIT
1	183394	SPRING HOUSING, GUIDED, NPT, 5000 PSI	A276 TP S21800 (NITRONIC 60)	1		
2	116409	PISTON ROD, SHOULDERED NUT, 5000 PSI	A276 TP S20910 (NITRONIC 50)	1		
3	27200	SPRING COMPRESSION	A313 TP 316 (316 SS)	1		
4	21112-007	NUT, HEX LOCK	ASTM F594 ALLOY GR2 (316 SS) / NYLON	1	X	X
5	116406	SEAT, BOTTOM, 1-1/2" VALVE	DELRIN 511P	1	X	X
6	27204	WEARBAND	DELRIN AF	2	X	X
7	116610	SPACER	A276 S21800 (NITRONIC 60)	1		
8	116405	SEAT, TOP, 1-1/2" VALVE	DELRIN 511P	1	X	X
9	116408	BUSHING, 1-1/2" VALVE	ASTM B169 C61400	1		
10	116412	SLEEVE, 1-1/2" VALVE	A276 TP UNS S21800 (NITRONIC 60)	1	X	
11	18100-129K1	O-RING	HNBR	1	X	X
12	18100-128K1	O-RING	HNBR	2	X	X
13	198444	WEAR BAND, PISTON, 1/2"	PEEK	2	X	X
14	18110-236P	BACKUP RING	PEEK	2	X	X
15	18110-235P	BACKUP RING	PEEK	2	X	X
16	202829	BACKUP RING	PEEK	2	X	X
17	198443	WEAR BAND, PISTON, 5000 PSI	DELRIN AF	2	X	X
18	18108-514	T-SEAL, ROD	CARBOXYLATED NITRILE / NYLATRON	1	X	X
19	202608	T-SEAL, ROD	CARBOXYLATED NITRILE / NYLATRON	1	X	X
20	18108-021	T-SEAL, PISTON	CARBOXYLATED NITRILE / NYLATRON	1	X	X



**CAVITY DETAIL**

SIZE <b>B</b>	DWG NO <b>29067</b>	REV <b>B</b>
SCALE 1:2	SolidWorks	SHEET 2 OF 2



4

3

2

1

NOTES:

- 1 MARK COMPONENT WITH ASSEMBLY W.O. NUMBER AS SHOWN ON COMPONENT DRAWING
- 2 MARKING: MARK AS SHOWN USING LASER ETCH OR COMPUTER CONTROLLED DOT PEEN MARKING MACHINE, .06 HIGH MIN CHARACTERS.
- 3. FOR BOTTOM SEAL REMOVAL USE TOOL ATL 10010-003.
- 4. X, IN COLUMN DEPICTS PARTS IN SEAL KIT 29067 SK.
- 5. X, IN COLUMN DEPICTS PARTS IN REPAIR KIT 29067 RK.
- 6 TORQUE CARTRIDGE TO 300 FT-LBS IN MANIFOLD BLOCK USING SPECIAL TOOL ATL 10112.
- 7 ASSEMBLY PROCEDURE: 50274  
STANDARD FAT PROCEDURE: 50275  
EXTENDED FAT PROCEDURE: 50276  
SERVICE MANUAL: 51025

REVISIONS				
REV	ERN /ECO NUMBER	DRAWN	CHECKED	APPROVED
B	ECO 017476	ay 11-5-19	SP 11/5/19	AJP 11/5/19

PRESSURE DATA

SUPPLY MAWP: 5,000 PSI  
 PILOT MAWP: 5,000 PSI  
 AT 5000 PSI SUPPLY RECOMMENDED  
 MINIMUM PILOT PRESSURE: 3,000 PSI  
 AT 3000 PSI SUPPLY RECOMMENDED  
 MINIMUM PILOT PRESSURE: 2,000 PSI

FLOW DATA

Cv = 11  
 MAX FLOW CAPACITY: 250 GPM

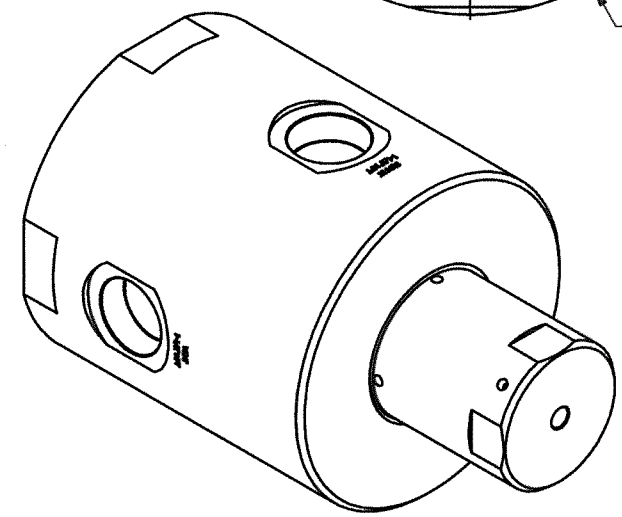
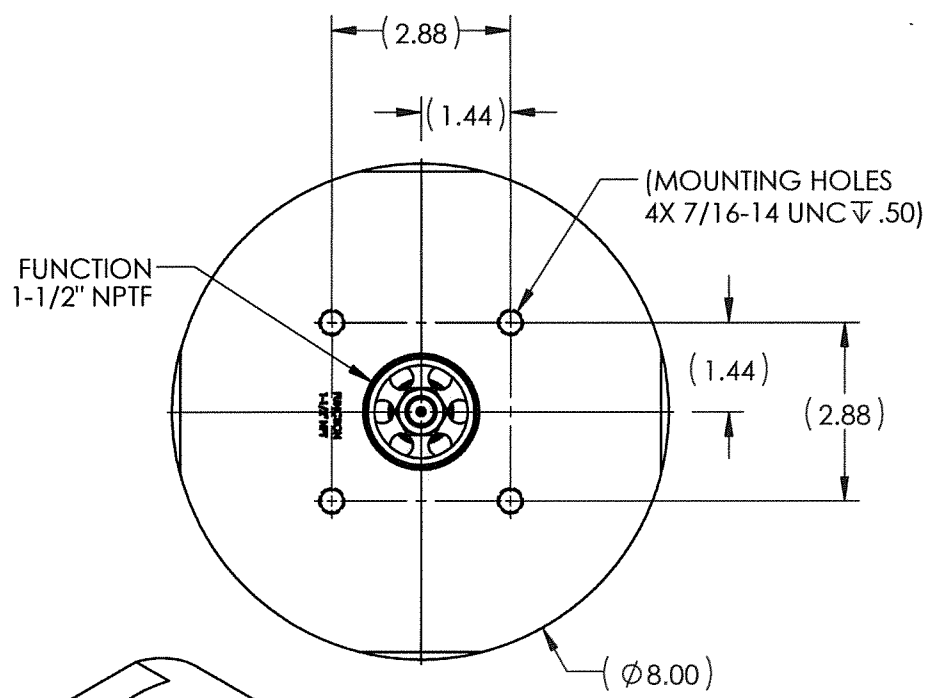
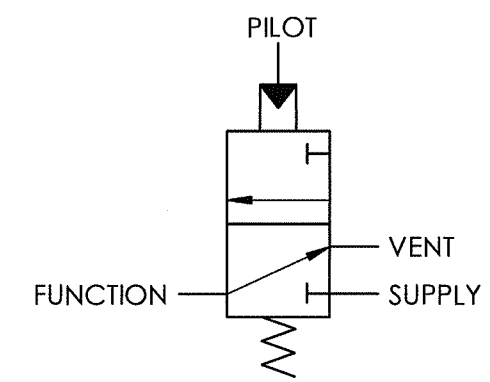
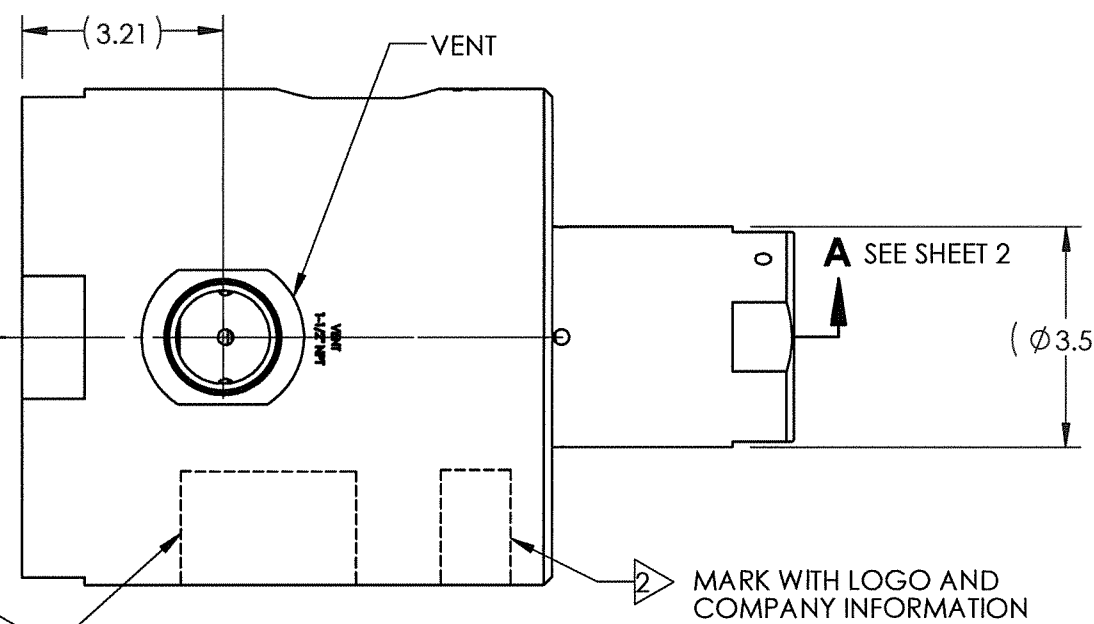
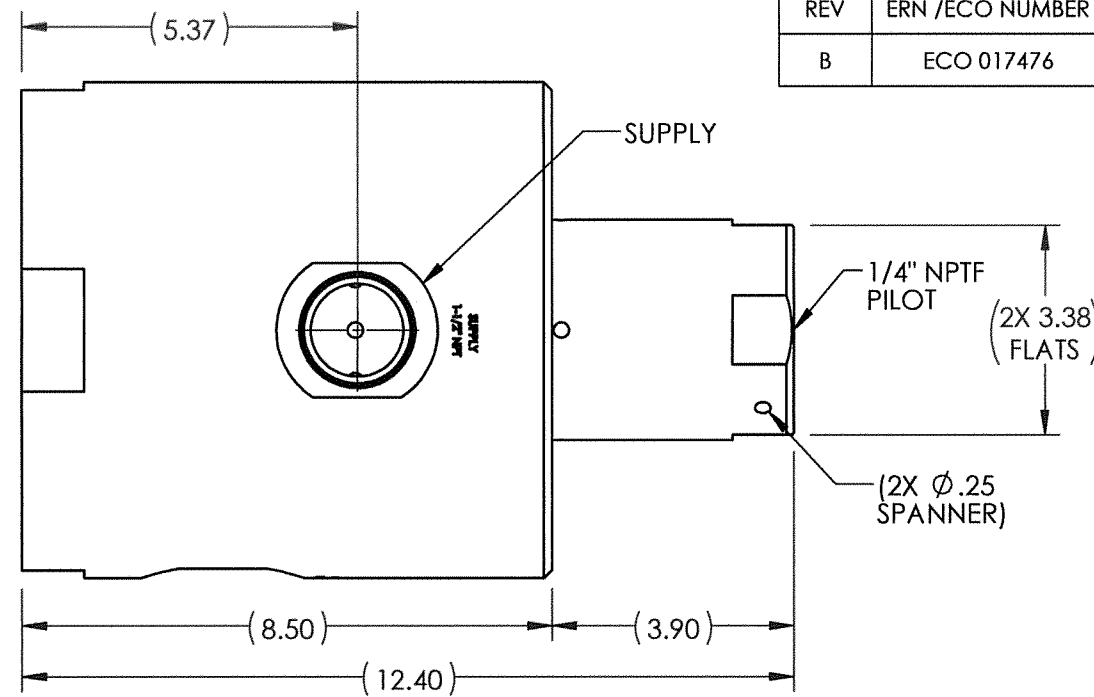
FLUIDS: 1.) WATER BASED DRILLING CONTROL FLUID.  
 2.) MINERAL OIL BASED DRILLING CONTROL FLUID.

PORTS

SUPPLY: 1-1/2" NPTF  
 FUNCTION: 1-1/2" NPTF  
 VENT: 1-1/2" NPTF  
 PILOT: 1/4" NPTF

GENERAL DATA

TEMPERATURE RANGE: 32°F TO 150°F  
 APPROX WEIGHT: 116 LBS  
 FIELD SERVICEABLE



29066  
 VER (AX VERSION #)  
 (SERIAL NUMBER-  
 SAME S/N AS CARTRIDGE )  
 PATENT PENDING  
 5,000 PSI  
 (DATE OF MFG)  
 SEE SHOP TRAVELER  
 FOR ADDITIONAL  
 INFO REQUIRED

PATENT PENDING

MATERIAL: SEE PARTS IN BOM	DIMENSIONS AND TOLERANCES ARE IN INCHES PER ASME Y14.5M-1994. UNLESS OTHERWISE SPECIFIED: 1) TOLERANCES: .X: ±.1 .XX: ±.01 .XXX: ±.005 ANGLES: ±.5° 2) SURFACE TEXTURE: 63/√	APPROVAL		
		DRAWN BY CMY	DATE 9-11-19	
CONDITION:	3) CORADIAL FEATURES SHALL BE © WITHIN .010 4) BREAK SHARP EDGES .010 5) INTERNAL RADII SHALL BE .016 MAX 6) DRILL POINTS OPTIONAL WHEN SHOWN UNSPECIFIED, ALL DRILL POINT ANGLES SHALL BE BETWEEN 90°-140°	CHECKED BY JP	DATE 9-11-19	<b>VALVE, SPM, GEN 2, 1-1/2", N.C., 5000 PSI SUPPLY, 5000 PSI PILOT, 1-1/2" NPTF</b>
TREATMENT:		ENGINEER AJP	DATE 9-11-19	
PROCEDURE NUMBER:	<small>THE INFORMATION CONTAINED IN THIS DRAWING IS THE SOLE PROPERTY OF GILMORE VALVE CO UNLESS OTHERWISE STATED. ANY REPRODUCTION IN PART OR WHOLE WITHOUT THE WRITTEN PERMISSION OF GILMORE VALVE CO IS PROHIBITED.</small>	ERN NUMBER 02311	DATE 5-24-19	SIZE <b>B</b> DWG NO <b>29066</b> REV <b>B</b>
		SCALE 1:4	SolidWorks	SHEET 1 OF 2



4

3

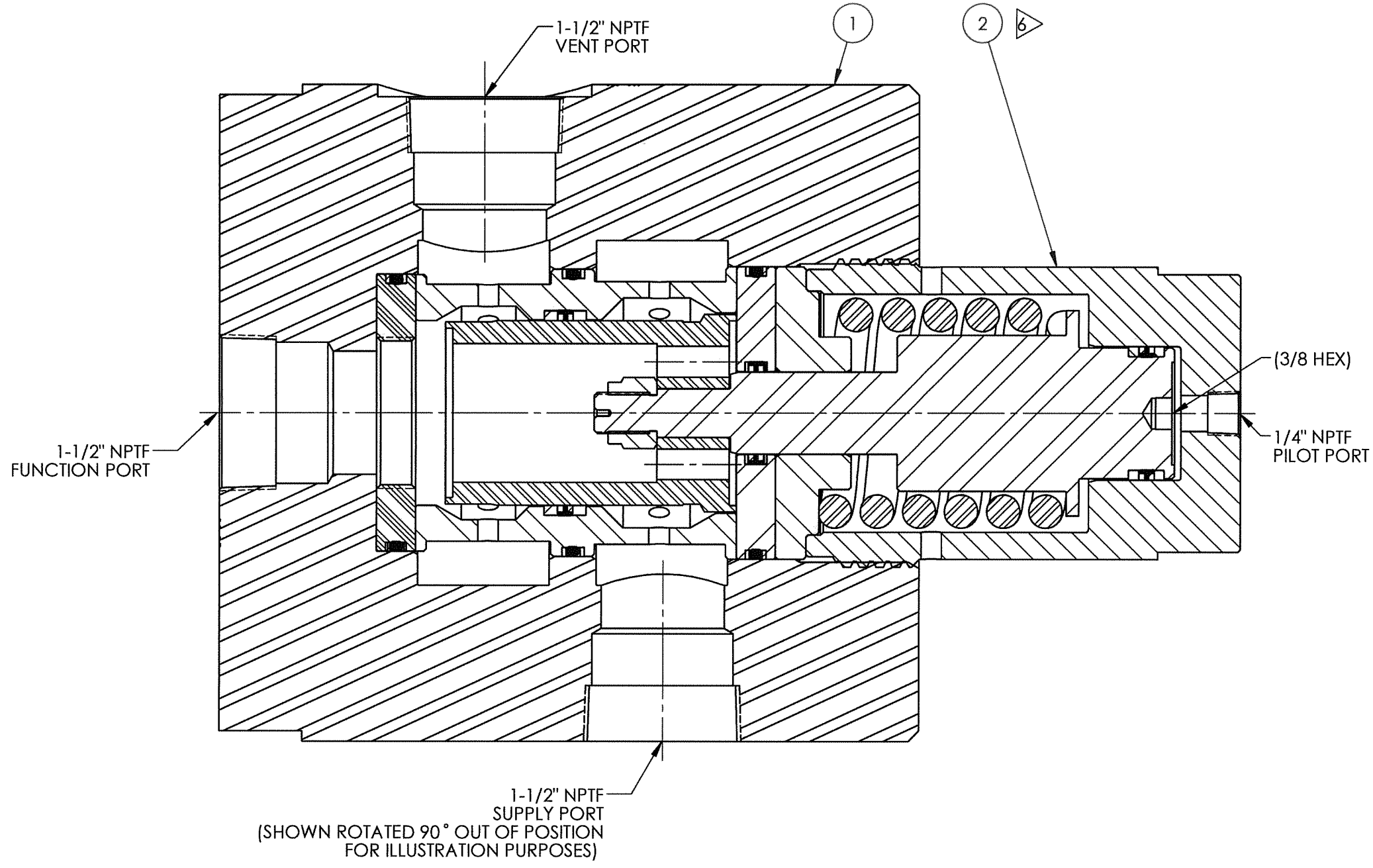
2

1

BILL OF MATERIALS						
ITEM NO	PART NUMBER	DESCRIPTION	MATERIAL	QTY	RK	SK
1	27396-2	BLOCK, 1-1/2 SPM, N.C., 1-1/2" NPTF	A276 TP316	1		
2	29067	CARTRIDGE, SPM, GEN 2, 1-1/2", N.O. OR N.C., 5000 PSI SUPPLY, 5000 PSI PILOT	SEE PARTS IN BOM	1	X	X

B


B



A

A

**SECTION A-A**  
**SCALE 1 : 1.5**

 <b>Gilmore</b> <small>a proserv company</small>		<b>ENGINEERING</b>	
SIZE <b>B</b>	DWG NO <b>29066</b>	REV <b>B</b>	
SCALE 1:2	SolidWorks	SHEET 2 OF 2	

4

3

2

1

4

3

2

1

NOTES:

- 1 MARK COMPONENT WITH ASSEMBLY W.O. NUMBER AS SHOWN ON COMPONENT DRAWING
- 2 MARKING: MARK AS SHOWN USING LASER ETCH OR COMPUTER CONTROLLED DOT PEEN MARKING MACHINE, .06 HIGH MIN CHARACTERS.
- 3. FOR BOTTOM SEAL REMOVAL USE TOOL ATL 10010-003.
- 4. X, IN COLUMN DEPICTS PARTS IN SEAL KIT 29067 SK.
- 5. X, IN COLUMN DEPICTS PARTS IN REPAIR KIT 29067 RK.
- 6 TORQUE CARTRIDGE TO 300 FT-LBS IN MANIFOLD BLOCK USING SPECIAL TOOL ATL 10112.
- 7 ASSEMBLY PROCEDURE: 50274  
STANDARD FAT PROCEDURE: 50275  
EXTENDED FAT PROCEDURE: 50276  
SERVICE MANUAL: 51025

REVISIONS				
REV	ERN /ECO NUMBER	DRAWN	CHECKED	APPROVED
A	ERN 02311	<i>CL</i> 9-11-19	<i>JF</i> 9/11/19	<i>AGB</i> 9/11/19

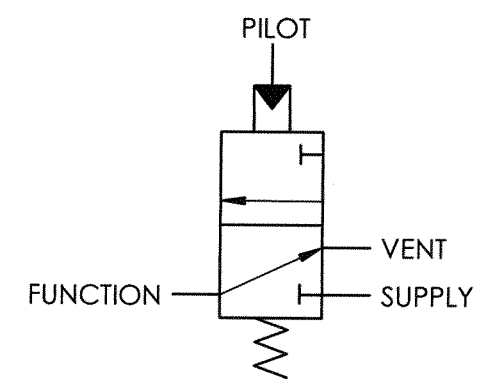
**PRESSURE DATA**  
 SUPPLY MWAP: 5,000 PSI  
 PILOT MAWP: 5,000 PSI  
 AT 5000 PSI SUPPLY RECOMMENDED  
 MINIMUM PILOT PRESSURE : 3,000 PSI  
 AT 3000 PSI SUPPLY RECOMMENDED  
 MINIMUM PILOT PRESSURE: 2,000 PSI

**FLOW DATA**  
 Cv = 11  
 MAX FLOW CAPACITY: 250 GPM

**FLUIDS:** 1.) WATER BASED DRILLING CONTROL FLUID.  
 2.) MINERAL OIL BASED DRILLING CONTROL FLUID.

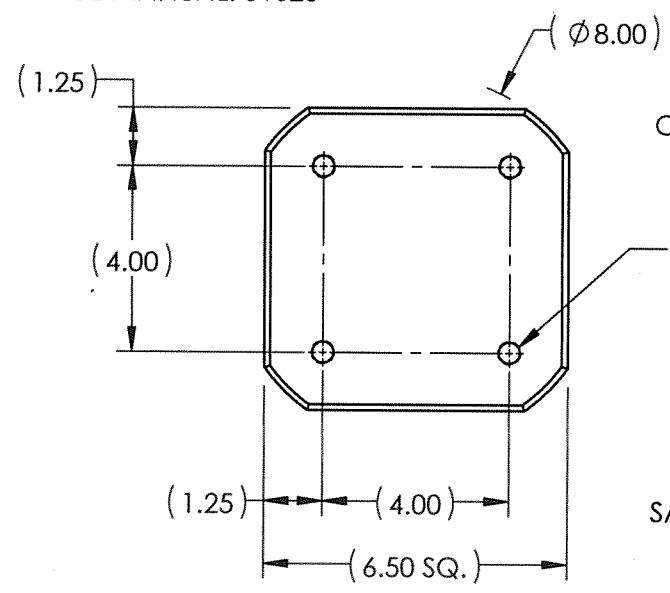
**PORTS**  
 SUPPLY: 1-1/2" CODE 62 SEAL SUB  
 FUNCTION: 1-1/2" CODE 62 SEAL SUB  
 VENT: 1-1/2" CODE 62 SEAL SUB  
 PILOT: 1/4" NPT

**GENERAL DATA**  
 TEMPERATURE RANGE: 32°F TO 150°F  
 APPROX WEIGHT: 116 LBS  
 FIELD SERVICEABLE



SCHEMATIC N.C.

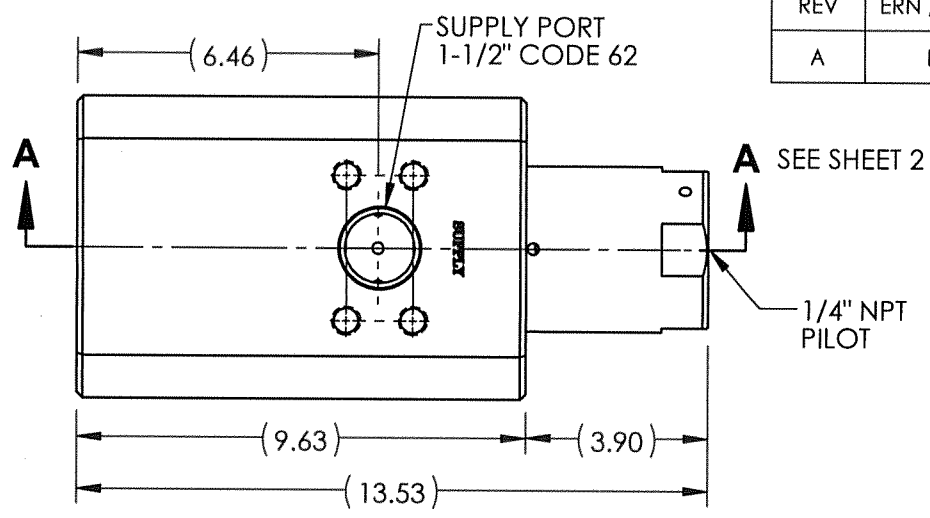
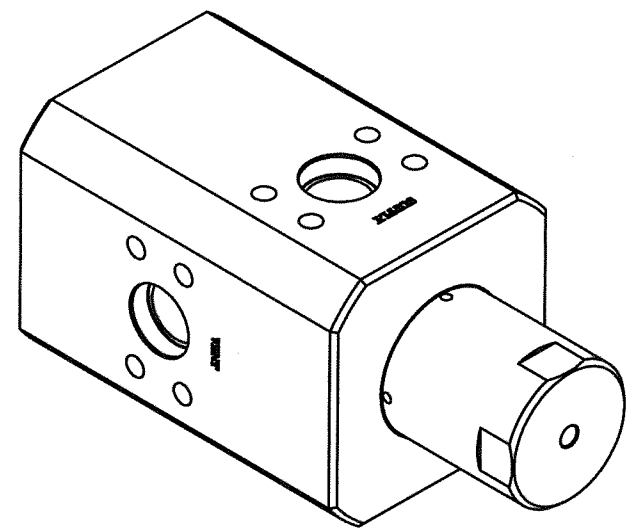
PATENT PENDING



MARK WITH LOGO AND COMPANY INFORMATION

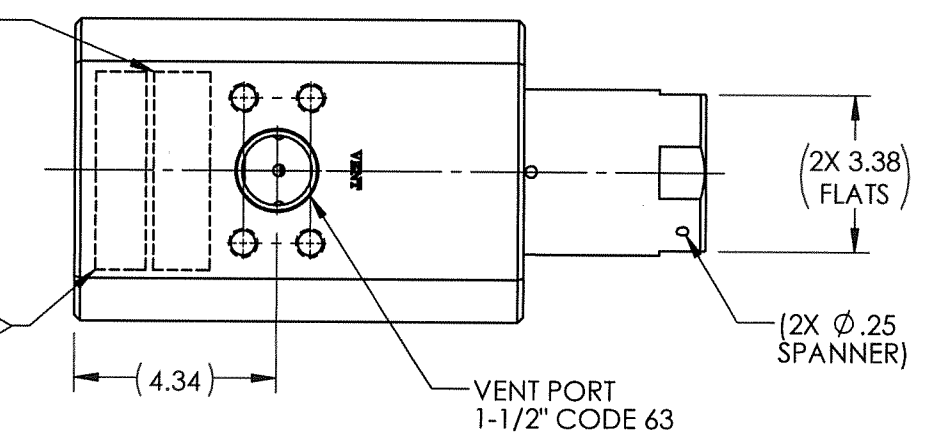
(MOUNTING HOLES 4X 1/2-20 UNF ∇ 1.00)

29075  
 VER (AX VERSION #)  
 (SERIAL NUMBER-  
 SAME S/N AS CARTRIDGE )  
 PATENT PENDING  
 5,000 PSI  
 (DATE OF MFG)  
 SEE SHOP TRAVELER  
 FOR ADDITIONAL  
 INFO REQUIRED



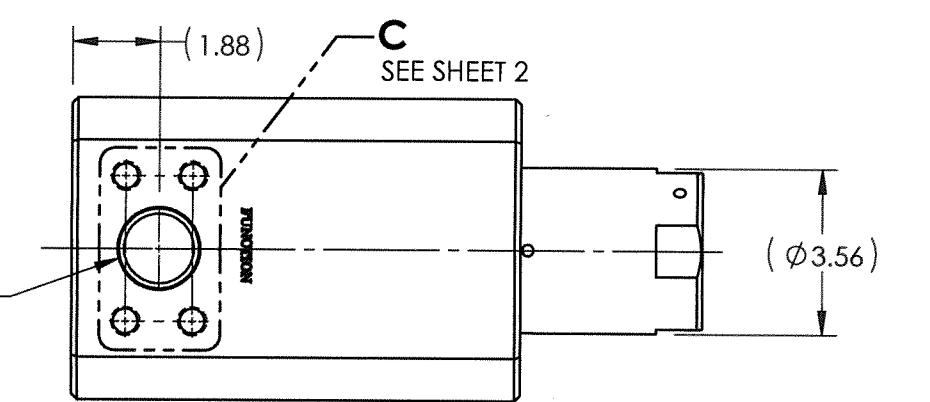
SEE SHEET 2

1/4" NPT PILOT



(2X 3.38) FLATS

(2X Ø.25) SPANNER



SEE SHEET 2

MATERIAL: SEE PARTS BOM	DIMENSIONS AND TOLERANCES ARE IN INCHES PER ASME Y14.5M-1994. UNLESS OTHERWISE SPECIFIED: 1) TOLERANCES: .X: ±.1 .XX: ±.01 .XXX: ±.005 ANGLES: ±.5° 2) SURFACE TEXTURE: 63 3) CORADIAL FEATURES SHALL BE © WITHIN .010 4) BREAK SHARP EDGES .010 5) INTERNAL RADII SHALL BE .016 MAX 6) DRILL POINTS OPTIONAL WHEN SHOWN UNSPECIFIED, ALL DRILL POINT ANGLES SHALL BE BETWEEN 90°-140°	APPROVAL	
CONDITION:		DRAWN BY <i>CL</i>	DATE 9-11-19
TREATMENT:		CHECKED BY <i>JF</i>	DATE 9/11/19
PROCEDURE NUMBER:		ENGINEER <i>AGB</i>	DATE 9/11/19
		ERN NUMBER 02311	DATE 8-22-19
		THE INFORMATION CONTAINED IN THIS DRAWING IS THE SOLE PROPERTY OF GILMORE VALVE CO UNLESS OTHERWISE STATED. ANY REPRODUCTION IN PART OR WHOLE WITHOUT THE WRITTEN PERMISSION OF GILMORE VALVE CO IS PROHIBITED.	

**proserv** **Gilmore**

**VALVE, SPM, GEN 2, 1-1/2", N.C.  
 5000 PSI SUPPLY, 5000 PSI PILOT,  
 SQ BODY, 1-1/2" CODE 62**

SIZE <b>B</b>	DWG NO <b>29075</b>	REV <b>A</b>
SCALE 1:4	SolidWorks	SHEET 1 OF 2

4

3

2

1

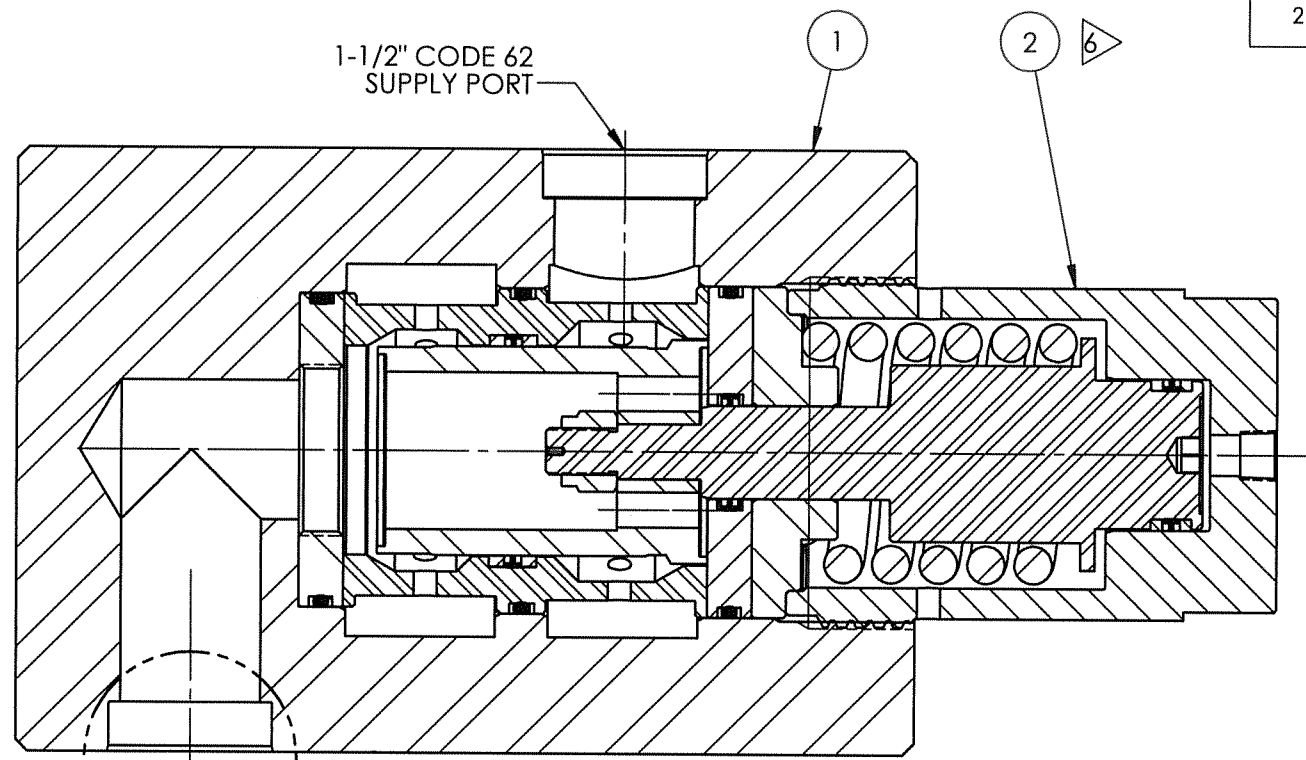
4

3

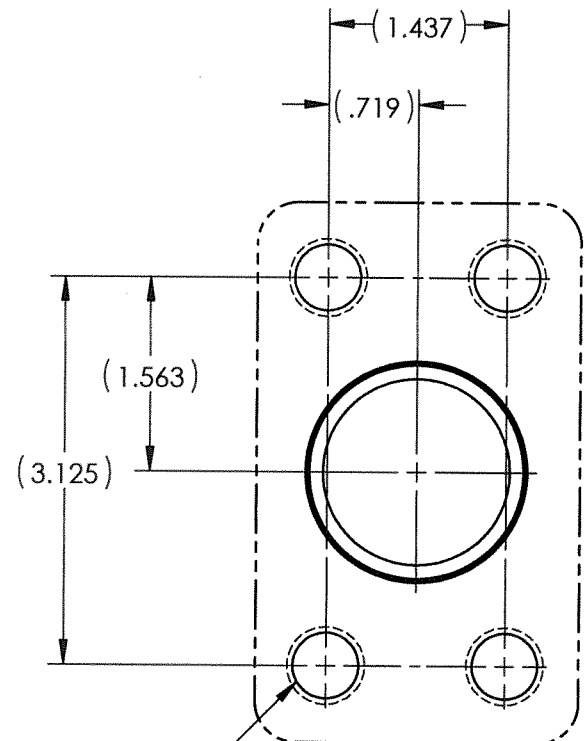
2

1

BILL OF MATERIALS					
ITEM NO	PART NUMBER	DESCRIPTION	MATERIAL		
1	203161	BLOCK, SQ, 1-1/2" SPM N.C. 1-1/2" CODE 62	A564 T630 (17-4PH)	1	
2	29067	CARTRIDGE, SPM, GEN 2, 1-1/2" N.O OR N.C., 5000 PSI SUPPLY, 5000 PSI PILOT	SEE PARTS IN BOM	1	X X



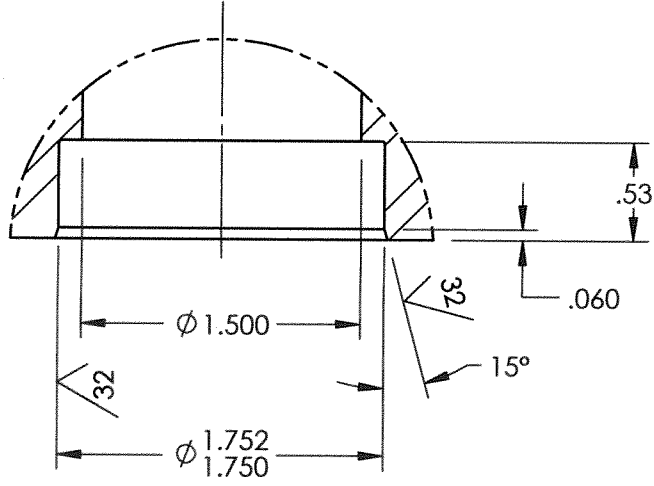
**SECTION A-A**  
**SCALE 1 : 2**



**DETAIL C**  
**SCALE 1 : 1.5**  
**3 PLACES**

(12X  $\phi$ .531  $\nabla$  1.25  
5/8-11 UNC-2B  $\nabla$  1.00)

1-1/2" CODE 62  
FUNCTION PORT



**DETAIL B**  
**SCALE 1 : 1**  
**3 PLACES**

<b>proserv</b>   			
SIZE <b>B</b>	DWG NO <b>29075</b>	REV <b>A</b>	
SCALE 1:4	SolidWorks	SHEET 2 OF 2	

4

3

2

1